

Aspirator

IPMA INDUSTRY SDN. BHD.

益马工业有限公司

198501004398 (136837-P)



Model: AS-12, AS-20, AS-200



Model: AS-12, AS-20

Zig-Zag type

Model: AS-200



Model	Power Requirement	Output Capacity	Dimension
AS-12	1.5 HP	12 Ton (Rice)	Ø905 x 866
AS-20	2.0 HP	20 Ton (Rice)	Ø730 x 1560
AS-200	-	15 Ton (Rice)	632 (L) x 404 (W) x 891 (H)

www.ipmaindustry.com

Details provided about the properties and usability of the products are purely for information purposes and do not constitute a guarantee of these characteristics. The extent of goods delivered and services performed is determined by the subject matter of the specific contract. No liability accepted for errors or omissions.

IPMA

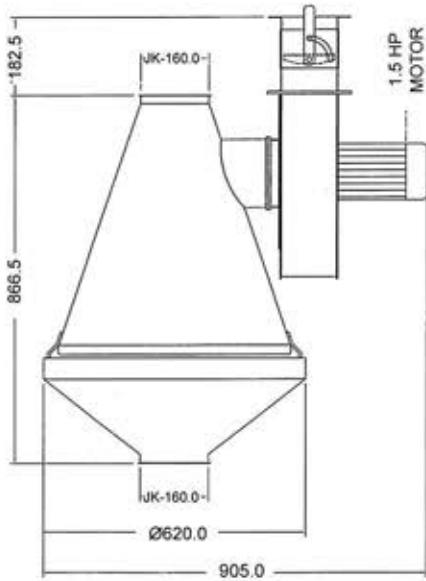
Your One Stop Rice Processing And Solution Centre!

Technical Specification

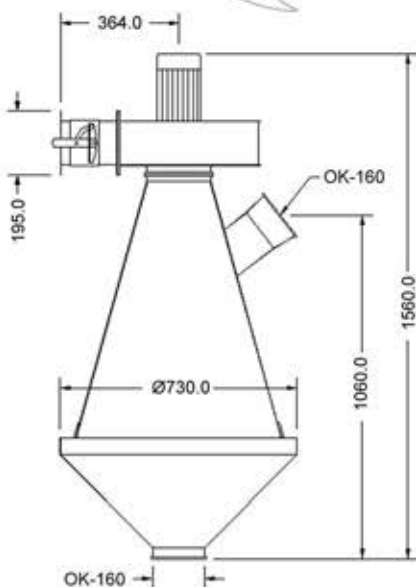
Aspirator

Model: AS-12, AS-20

AS-12



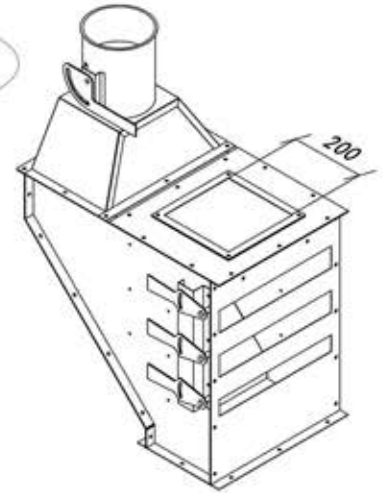
AS-20



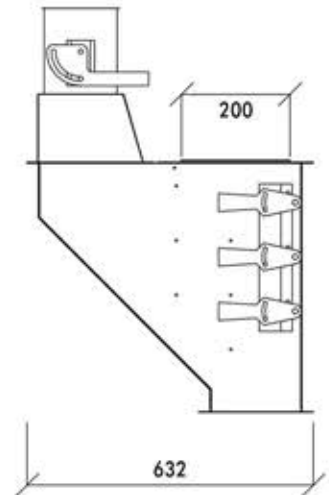
Aspirator Zig-Zag type

Model: AS-200

Isometric View



Side View



Front View

