



Auto Huller

Model: AH-10 / AH-250 / AH-V-250

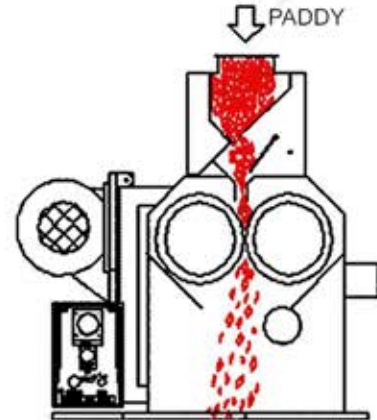
IPMA INDUSTRY SDN. BHD.

益马工业有限公司

198501004398 (136837-P)



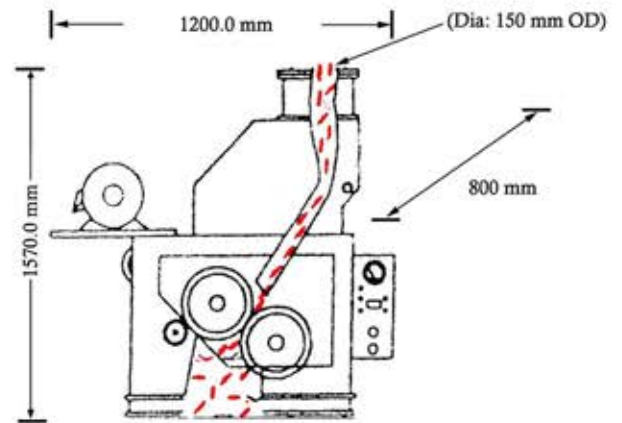
▼ Model : AH-10



AIR FLOW DIAGRAM VIEW



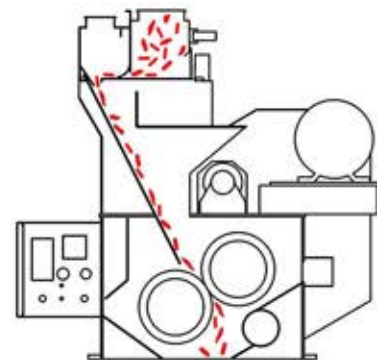
▼ Model : AH-250



AIR FLOW DIAGRAM VIEW



▼ Model : AH-V-250



AIR FLOW DIAGRAM VIEW

www.ipmaindustry.com

Details provided about the properties and usability of the products are purely for information purposes and do not constitute a guarantee of these characteristics. The extent of goods delivered and services performed is determined by the subject matter of the specific contract. No liability accepted for errors or omissions.

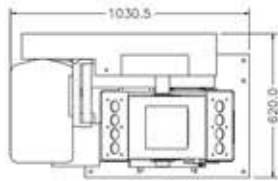
IPMA

Your One Stop Rice Processing And Solution Centre!

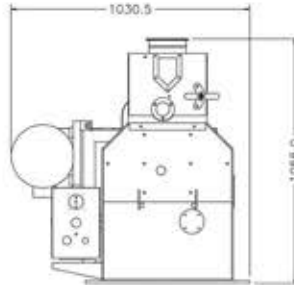
Technical Specification

Auto Huller Model: AH-10 / AH-250 / AH-V-250

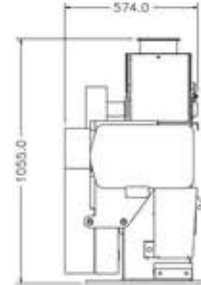
Model : AH-10



PLAN

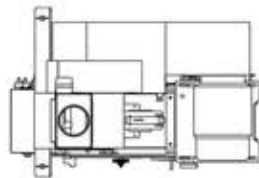


FRONT

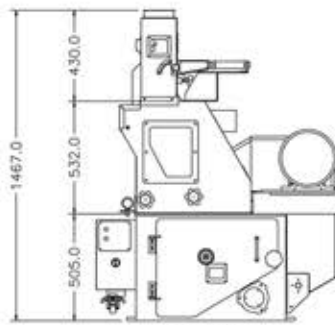


SIDE

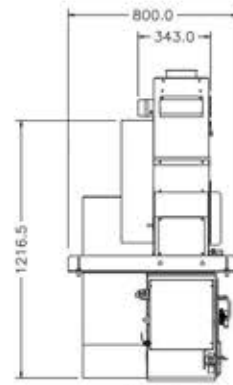
Model : AH-250



PLAN

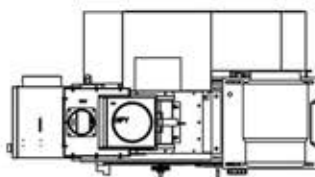


FRONT

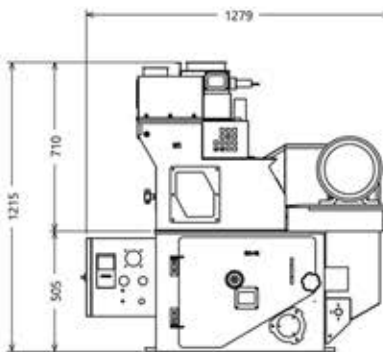


SIDE

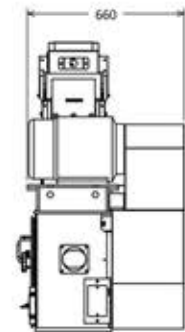
Model : AH-V-250



PLAN



FRONT



SIDE

Model	Power Requirement	Output Capacity	Weight	Dimension(MM) (L x W x H)
AH-10	7.5 KW	1.5-1.7 TPH	442 KG	1031 x 620 x 1055
AH-250	7.5 KW 11.25 KW	1.6-2.0 TPH 2.0-3.0 TPH	530 KG	1200 x 800 x 1467
AH-V-250	7.5 KW 11.25 KW	1.6-2.0 TPH 2.0-3.0 TPH	550 KG	1280 x 700 x 1215

*depend to material impurity