

Colour Sorter

IPMA INDUSTRY SDN. BHD.

益马工业有限公司

198501004398 (136837-P)



Model : IC-240 / IC-360 / IC-480 / IC-600



IC Series



Vibrator sensing hopper sensors



Brand new integrated large touch screen



New ejector assembly



High brightness & low temperature rise LED light source



Automatic background adjustment function



Wide chute design can fit high capacity 8-15t/h production line



Super high definition 2048 CCD sensor



Rice shape sorting function, provide picture result preview

WHITE RICE



Accept



Rejects

BROWN RICE



Accept



Accept



Rejects



Rejects

GLUTINOUS RICE



Accept



Rejects

PARBOILED RICE



Accept



Rejects

www.ipmaindustry.com

Details provided about the properties and usability of the products are purely for information purposes and do not constitute a guarantee of these characteristics. The extent of goods delivered and services performed is determined by the subject matter of the specific contract. No liability accepted for errors or omissions.

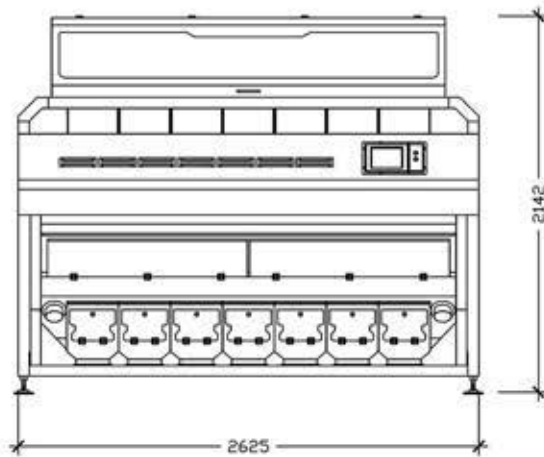
IPMA

Your One Stop Rice Processing And Solution Centre!

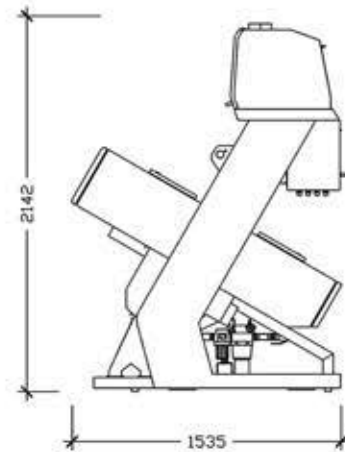
Technical Specification

Color Sorter

FRONT VIEW



SIDE VIEW



| Model | IC-240 | IC-360 | IC-480 | IC-600 |
|----------------------------|----------------|----------------|----------------|----------------|
| Output (tons per hour) | 3 - 4 | 5 - 6 | 7 - 8 | 10 - 12 |
| No. of Channels : | | | | |
| IC series | 240 | 360 | 480 | 600 |
| Rejection Ratio (Bad:Good) | | | | |
| IC series | 10:1 | 10:1 | 10:1 | 10:1 |
| Voltage Rating (V) | 220 | 220 | 220 | 220 |
| Power Consumption (kw) | | | | |
| IC series | 2.4 | 3.0 | 3.6 | 4.2 |
| Air Consumption (m/min) | | | | |
| IC series | <2.0 | <3.0 | <4.0 | <5.0 |
| Dimension LxWxH (mm) | | | | |
| IC series | 2118x1580x2020 | 2710x1580x2020 | 3333x1580x2020 | 3925x1580x2020 |

- ✓ All machines voltage rating are 220V
- ✓ All machine performance data listed is obtain when running the machine at 15-20kg/ hour / channel using raw material with 2% contaminant.
- ✓ Actual machine performance at site may be affected by different raw material input