

Colour Sorter

IPMA INDUSTRY SDN. BHD.

益马工业有限公司

198501004398 (136837-P)



Model: IC-240 / IC-300 / IC-420 / IC-600



IC Series



Vibrator sensing hopper sensors



Brand new integrated large touch screen



New ejector assembly



High brightness & low temperature rise LED light source



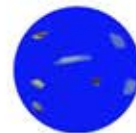
Automatic background adjustment function



Wide chute design can fit high capacity 8-15t/h production line



Super high definition 2048 CCD sensor



Rice shape sorting function, provide picture result preview

WHITE RICE



Accept



Rejects

BROWN RICE



Accept



Accept



Rejects



Rejects

GLUTINOUS RICE



Accept



Rejects

PARBOILED RICE



Accept



Rejects

www.ipmaindustry.com

Details provided about the properties and usability of the products are purely for information purposes and do not constitute a guarantee of these characteristics. The extent of goods delivered and services performed is determined by the subject matter of the specific contract. No liability accepted for errors or omissions.

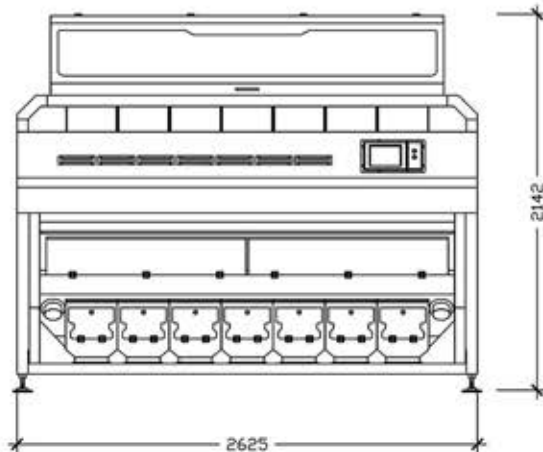
IPMA

Your One Stop Rice Processing And Solution Centre!

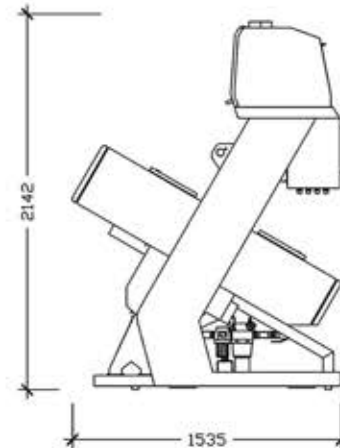
Technical Specification

Color Sorter

FRONT VIEW



SIDE VIEW



Model	IR-180 / IB-240 / IA-240 / IC-240	IR-300 / IB-300 / IA-320 / IC-300	IR-420 / IB-420 / IA-440 / IC-420	IC-600
Output (tons per hour)	3 - 4	5 - 6	7 - 8	10 - 12
No. of Channels :				
IR, IB & IC series	180	300	420	600
IA series	240	320	440	
Rejection Ratio (Bad:Good)				
IR, IB & IC series	20:1	20:1	20:1	20:1
IA series	10:1	10:1	10:1	10:1
Voltage Rating (V)	220	220	220	180 - 240
Power Consumption (kw)				
IR series	1.8	2.9	3.5	
IA, IB & IC series	2.2	3.0	3.2	4.2
Air Consumption (m/min)				
IR, IB & IC series	<1.8	<3.0	<3.6	<5.0
IA series	<2.5	<3.0	<3.6	
Dimension LxWxH (mm)				
IR series	1455x1535x2142	2075x1535x2142	2625x1535x2142	
IA, IB & IC series	1920x1410x2040	2043x1410x2040	2595x1450x2127	3700x1562x2143

- ✓ All machines voltage rating are 220V
- ✓ All machine performance data listed is obtain when running the machine at 15-20kg/ hour / channel using raw material with 2% contaminant.
- ✓ Actual machine performance at site may be affected by different raw material input