

Combine Cleaner With Suction Aspirator

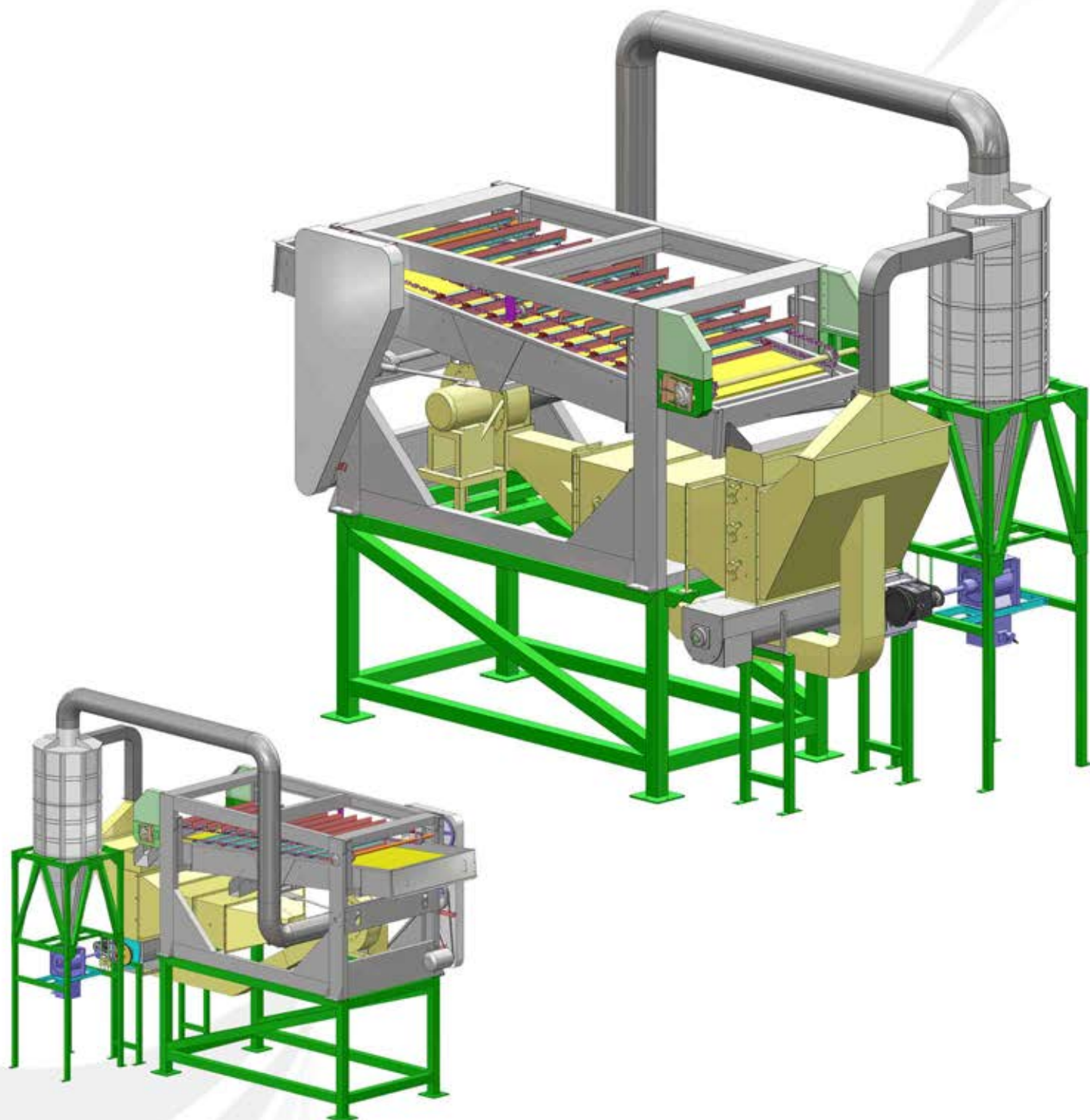
IPMA INDUSTRY SDN. BHD.

益马工业有限公司

198501004398 (136837-P)



Model : CCA-12



Model

Power Recommended

Dimension(MM)
(L x W x H)

RCS-12

3 HP

4910 x 2831 x 4368

www.ipmaindustry.com

Details provided about the properties and usability of the products are purely for information purposes and do not constitute a guarantee of these characteristics. The extent of goods delivered and services performed is determined by the subject matter of the specific contract. No liability accepted for errors or omissions.

IPMA

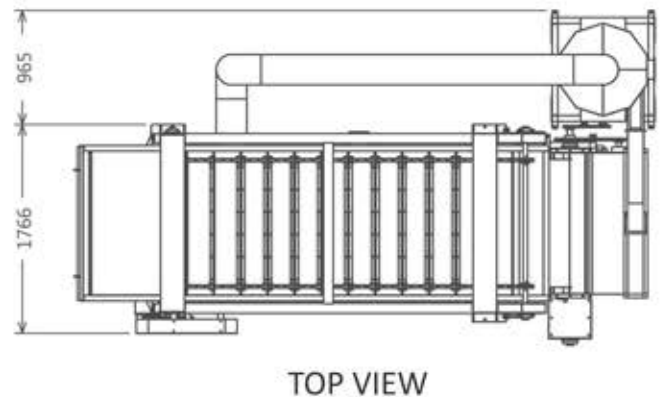
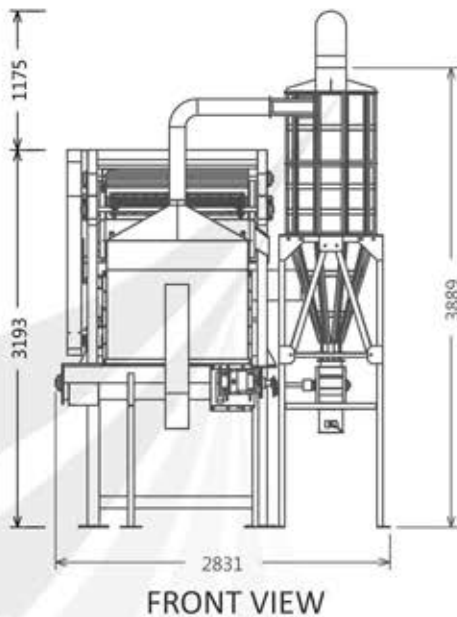
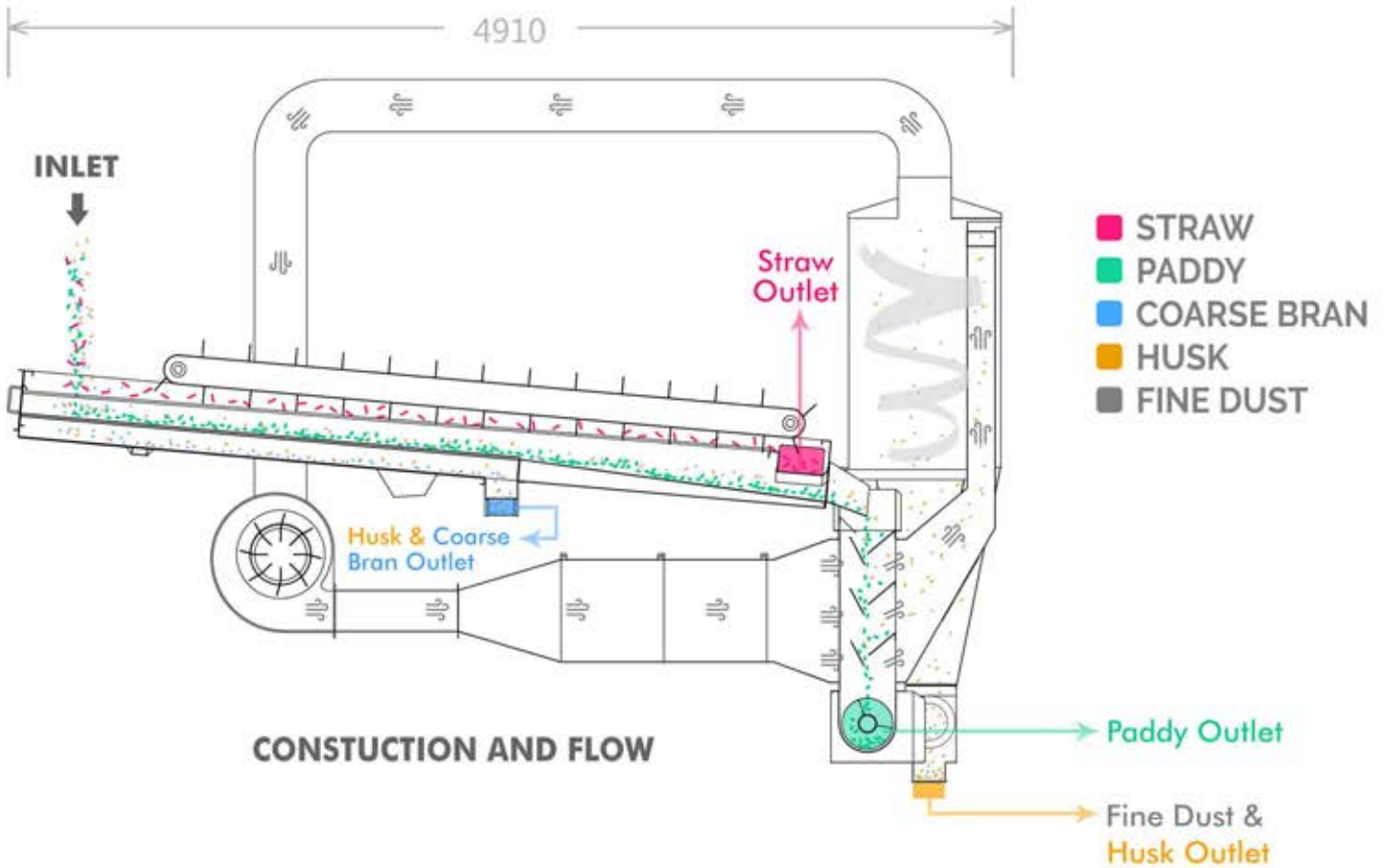
Your One Stop Rice Processing And Solution Centre!



Technical Specification

Combine Cleaner With Suction Aspirator

Model : CCA-12



ISO 9001 : 2015
Approval No : 0048394