

Destoner

IPMA INDUSTRY SDN. BHD.

益马工业有限公司

198501004398 (136837-P)



Model : DS-25 / DS-50 / DS-75



Model : DS-75



Model : DS-50

OUTPUT



Brown Rice



Stones



Dust

OUTSTANDING FEATURES

1. Effectively separate impurities such as stone, sand, ferrous metal particles from rice by means of specific weight.
2. Adopts closed circuit air circulation system to prevent dust pollution and to maintain more uniform air temperature and moisture content inside the machine. This will significantly reduce white rice from drying up and cracked.
3. Rigid construction to ensure reliability and durability.
4. Energy saving - low power consumption for high capacity.

www.ipmaindustry.com

Details provided about the properties and usability of the products are purely for information purposes and do not constitute a guarantee of these characteristics. The extent of goods delivered and services performed is determined by the subject matter of the specific contract. No liability accepted for errors or omissions.

IPMA

Your One Stop Rice Processing And Solution Centre!

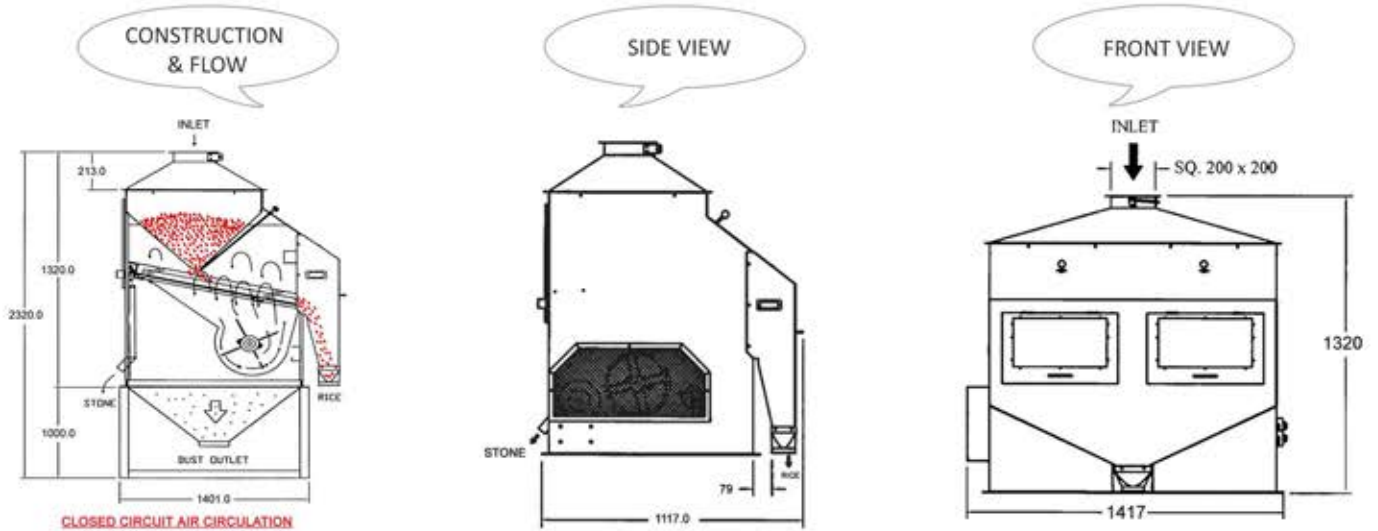


Technical Specification

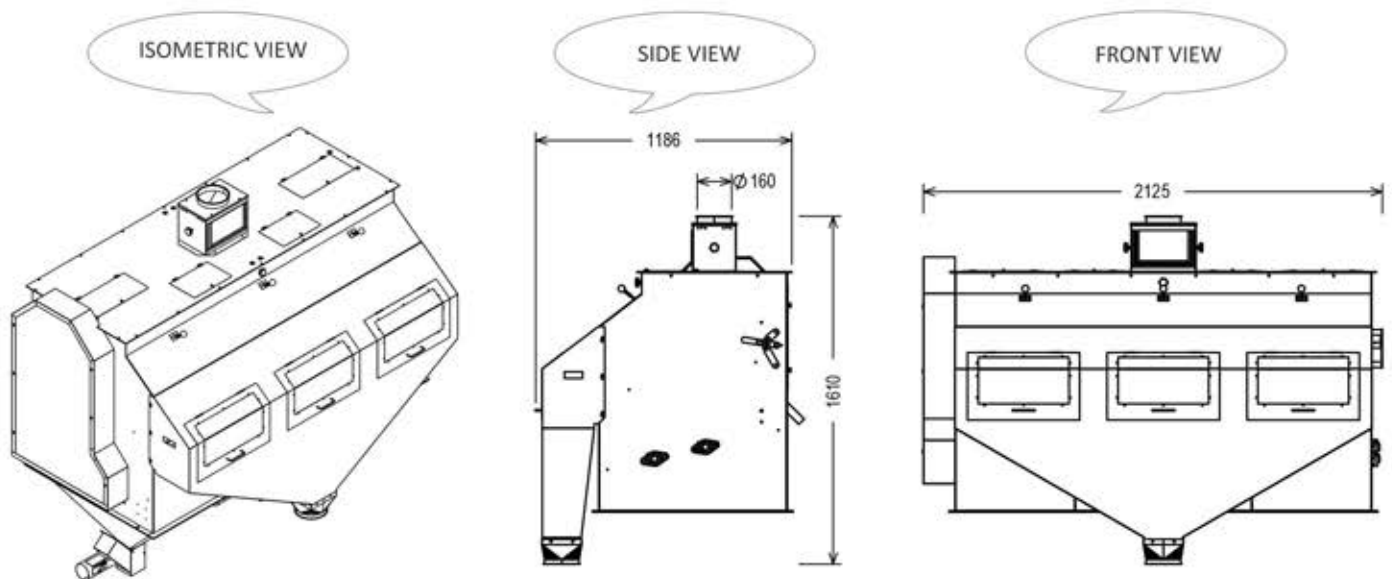
Destoner

Model: DS-25 / DS-50 / DS-75

Model : DS-50



Model : DS-75



Model	Power Requirement	Output Capacity	Number of Screen	Weight	Dimension(MM) (L x W x H)
DS-25	1 HP	2 - 2.5 T/H	1	128 KG	797 x 1260 x 1318
DS-50	1 HP	4 - 5 T/H	2	270 KG	1117 x 1417 x 1110
DS-75	1 HP	6 - 8 T/H	3	470 KG	2125 x 1186 x 1610

