

Fine Cleaner

IPMA INDUSTRY SDN. BHD.

益马工业有限公司

198501004398 (136837-P)



Model : FC-50 / FC-70



OUTPUT



Paddy



Straw



Husk /
Immatured Grain



Straw(Short)



Coarse Bran

OUTSTANDING FEATURES

1. Using combination of air and perforated screen for more efficient cleaning.
2. Removal of straw and rubble by large diameter rotating drum, followed by a 'nose' screen to recover kernels from the straw.
3. Grains are equally divided into 2 sieve boats to produce high capacity cleaning.
4. Light impurities are removed by both pre and post aspiration system.
5. Sieve boats are counterbalanced to give the machine quiet and vibrating free operation and all screens are fitted with rubber balls which keep the perforations clean for optimum performance

www.ipmaindustry.com

Details provided about the properties and usability of the products are purely for information purposes and do not constitute a guarantee of these characteristics. The extent of goods delivered and services performed is determined by the subject matter of the specific contract. No liability accepted for errors or omissions.

IPMA

Your One Stop Rice Processing And Solution Centre!

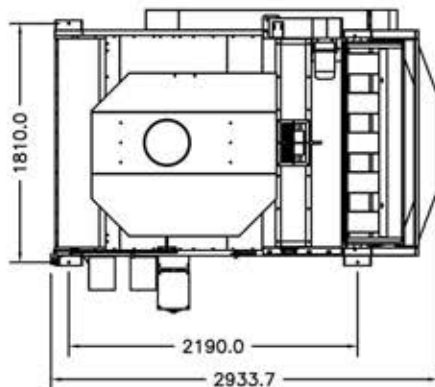


Technical Specification

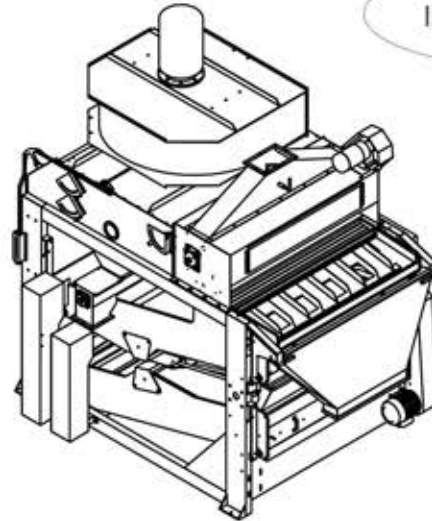
Fine Cleaner

Model: FC-50 / FC-70

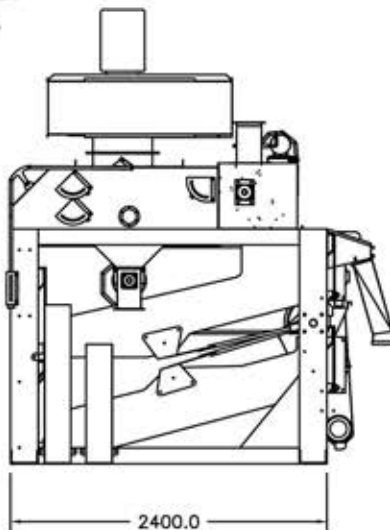
TOP VIEW



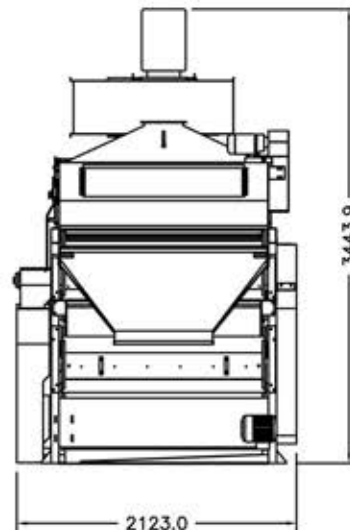
ISOMETRIC VIEW



FRONT VIEW



SIDE VIEW



Model	Power Requirement	Output Capacity	Screen Size 4 Layers	Air Volume	Weight	Dimension(MM) (L x W x H)
FC-50	1.5+5.5 KW	3-8 T/H	1000 x 2000 MM	12500 M ³ /H		2898 x 1763 x 3274
FC-70	1.5+15 KW	8-12 T/H	1500 x 2000 MM	22000 M ³ /H	2020KG	2400 x 2123 x 3444

