

High Pressure Blower

for Pneumatic Conveying

IPMA INDUSTRY SDN. BHD.

益马工业有限公司

198501004398 (136837-P)



Model : HPB-55 / HPB-150 / HPB-200



Model	Power Requirement	Max. air flow rate m ³ /h	Max. Pressure (mm WG)	Weight	Dimension(MM) (L x W x H)
Direct drive blowers					
HPB-55	5.5 HP x 2P	1800 m ³ /h	650 mm WG		464 x 938 x 825
HPB-200	20 HP x 2P	1800 m ³ /h	1700 mm WG		441 x 679 x 627
V-belt drive blowers					
HPB-150	15 HP x 2P	1800 m ³ /h	1300 mm WG	208 KG	1142 x 635 x 815

www.ipmaindustry.com

Details provided about the properties and usability of the products are purely for information purposes and do not constitute a guarantee of these characteristics. The extent of goods delivered and services performed is determined by the subject matter of the specific contract. No liability accepted for errors or omissions.

IPMA

Your One Stop Rice Processing And Solution Centre!



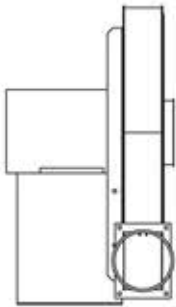
Technical Specification

High Pressure Blower

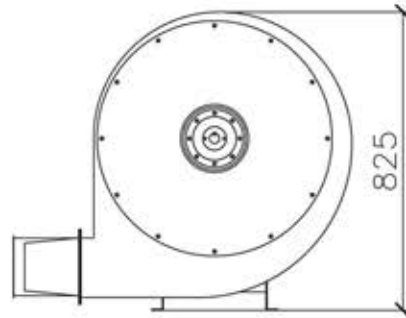
Model : HPB-55 / HPB-150
HPB-200

Direct drive blowers

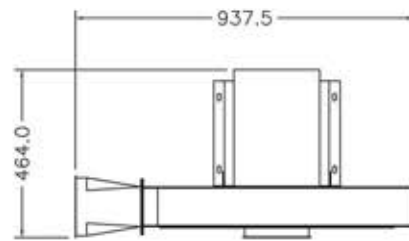
FRONT VIEW



SIDE VIEW

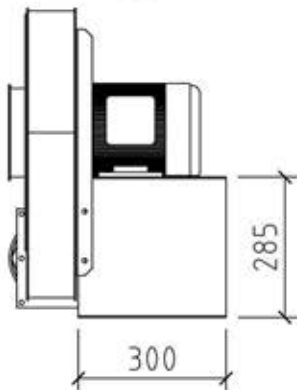


TOP VIEW

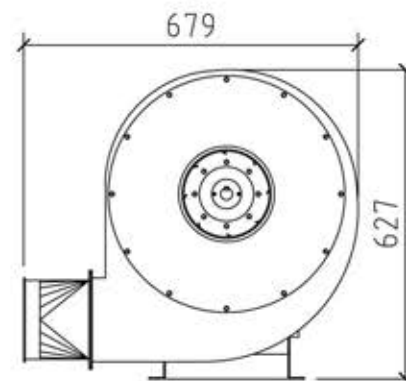


HPB-55

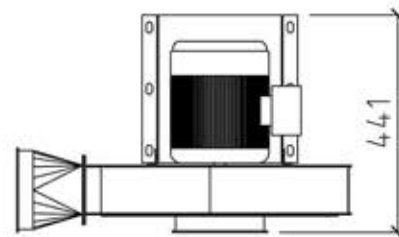
FRONT VIEW



SIDE VIEW



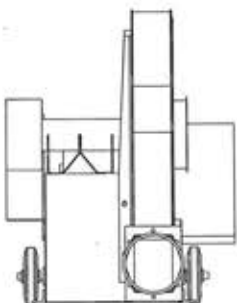
TOP VIEW



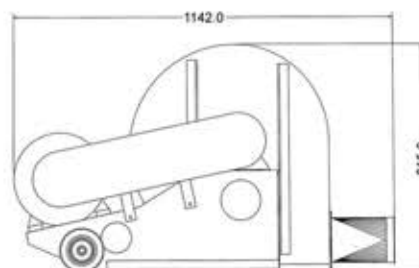
HPB-200

V-belt drive blowers

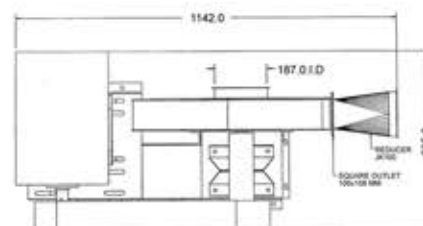
FRONT VIEW



SIDE VIEW



TOP VIEW



HPB-150

