

High Speed Rotary Packer

IPMA INDUSTRY SDN. BHD.

益马工业有限公司

198501004398 (136837-P)



Model: RTP-1000W

SMART MACHINE



Video



Model: RTP-1000W

950 - 1100 bags/hr

Model	Weighing Range & Packaging	Capacity	Weight	Dimension (MM) (L x W x H)
RTP-1000W	3 - 10 kgs	950 - 1100 bags/hr	1770 kg	2503 x 1860 x 2350

www.ipmaindustry.com

Details provided about the properties and usability of the products are purely for information purposes and do not constitute a guarantee of these characteristics. The extent of goods delivered and services performed is determined by the subject matter of the specific contract. No liability accepted for errors or omissions.



Your One Stop Rice Processing And Solution Centre!

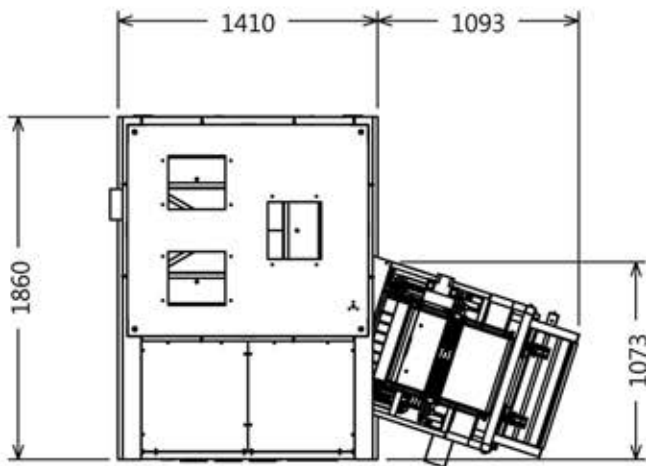


Technical Specification

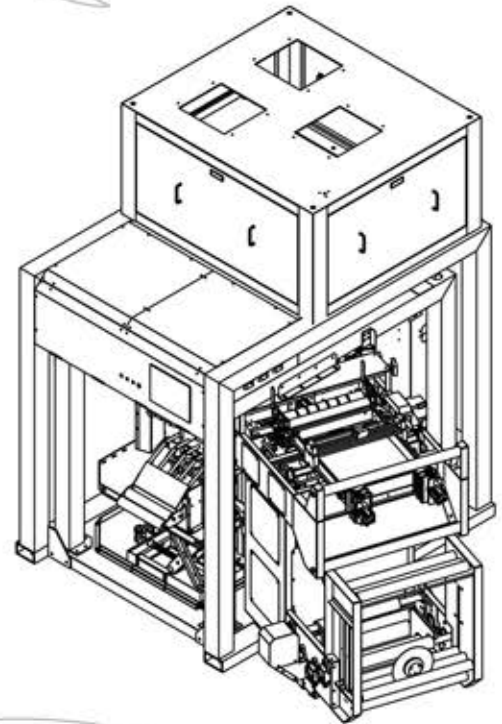
High Speed Rotary Packer

Model: RTP-1000W

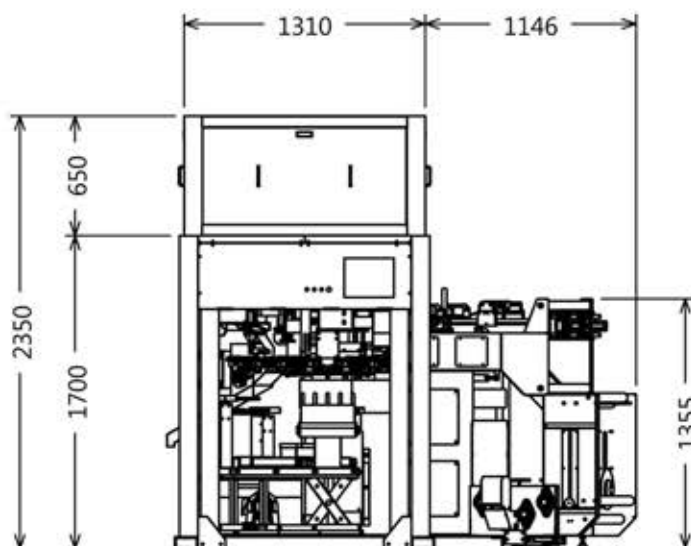
TOP VIEW



ISOMETRIC VIEW



LEFT VIEW



RIGHT VIEW

