

Pushing Grate Hot Water Heater

IPMA INDUSTRY SDN. BHD.

益马工业有限公司

198501004398 (136837-P)



Capacity : 4 mil. kcal/hr

Fuel : Rice Husk



www.ipmaindustry.com

Details provided about the properties and usability of the products are purely for information purposes and do not constitute a guarantee of these characteristics. The extent of goods delivered and services performed is determined by the subject matter of the specific contract. No liability accepted for errors or omissions.

IPMA

Your One Stop Rice Processing And Solution Centre!

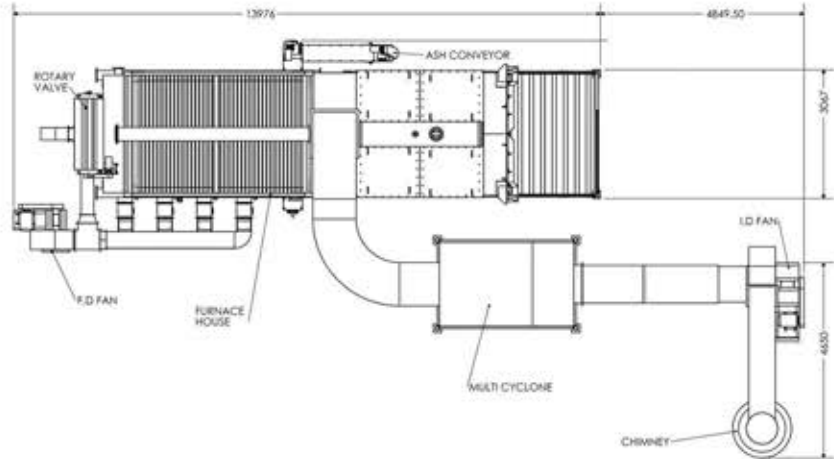


Technical Specification

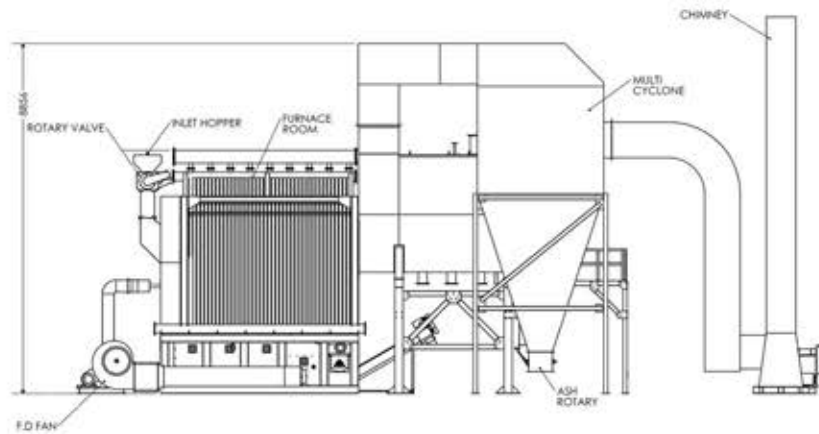
Hot Water Heater Pushing Grate

Capacity : 4 mil. kcal/hr

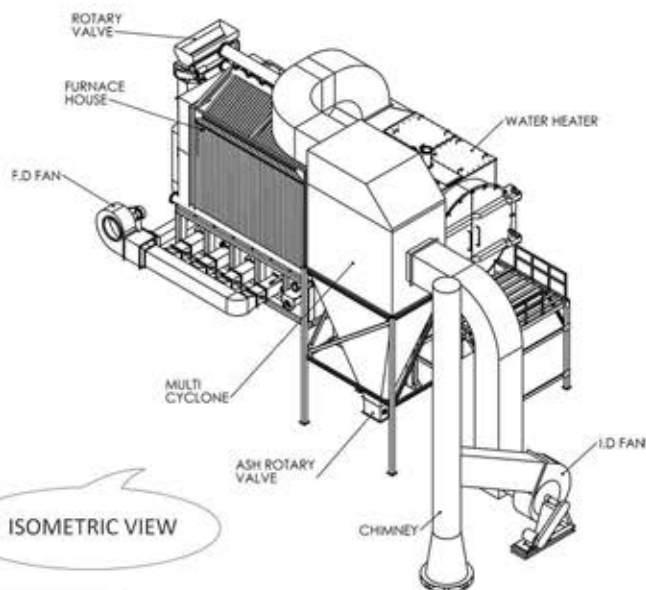
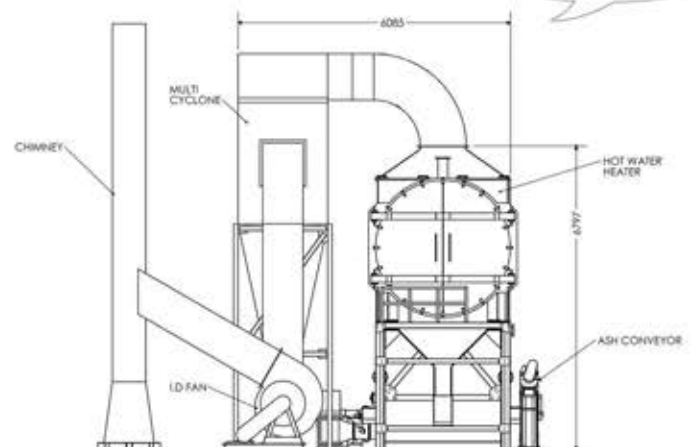
TOP VIEW



SIDE VIEW



FRONT VIEW



ISOMETRIC VIEW



ISO 9001 : 2015
Approval No : 0048394