

# Husk Separator

IPMA INDUSTRY SDN. BHD.

益马工业有限公司

198501004398 (136837-P)



Model : HS-200 / HS-300



## OUTPUT



Hulled Rice



Immature Grain



Husk

[www.ipmaindustry.com](http://www.ipmaindustry.com)

Details provided about the properties and usability of the products are purely for information purposes and do not constitute a guarantee of these characteristics. The extent of goods delivered and services performed is determined by the subject matter of the specific contract. No liability accepted for errors or omissions.

# IPMA

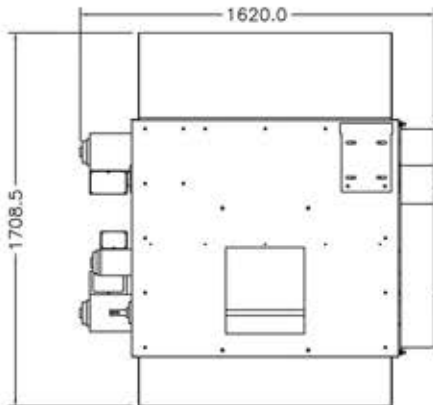
Your One Stop Rice Processing And Solution Centre!

# Technical Specification

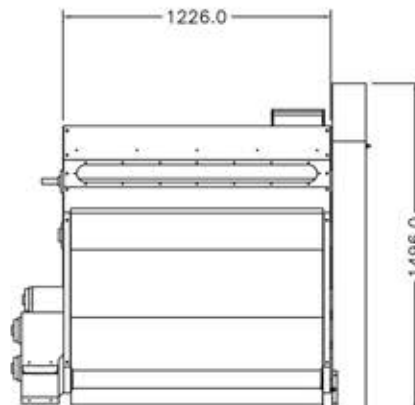
## Husk Separator

Model : HS-200 / HS-300

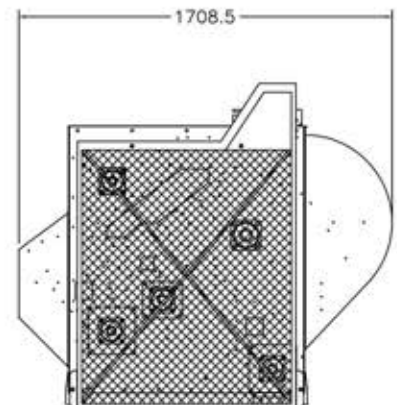
### Model : HS-200



PLAN VIEW

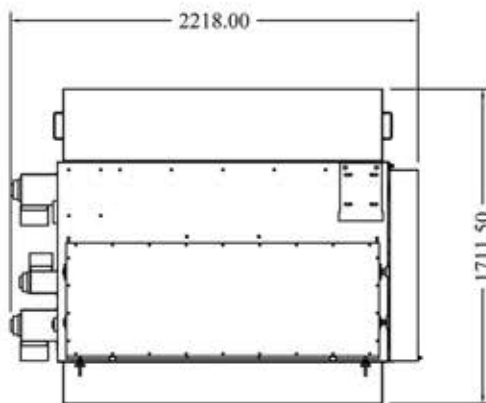


FRONT VIEW

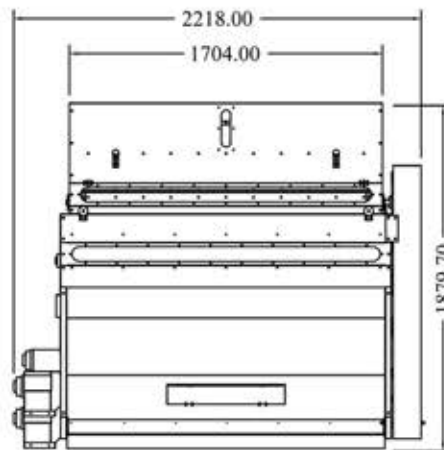


RIGHT VIEW

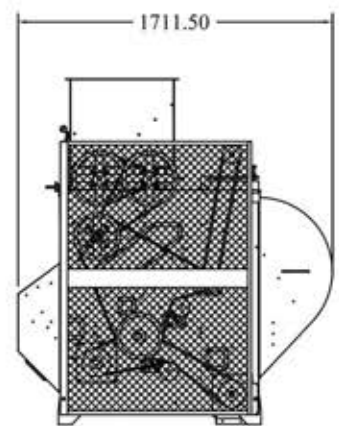
### Model : HS-300



PLAN VIEW



FRONT VIEW



RIGHT VIEW

Model	Power Requirement	Output Capacity	Weight	Dimension(MM) (L x W x H)
HS-200	3.0 HP	1.8-2.2 T/H for Rice	582 Kg	1709 x 1620 x 1496
HS-300	3.0 HP	2.8-3 T/H for Rice	970 Kg	1712 x 2218 x 1880