

Husk Sifter

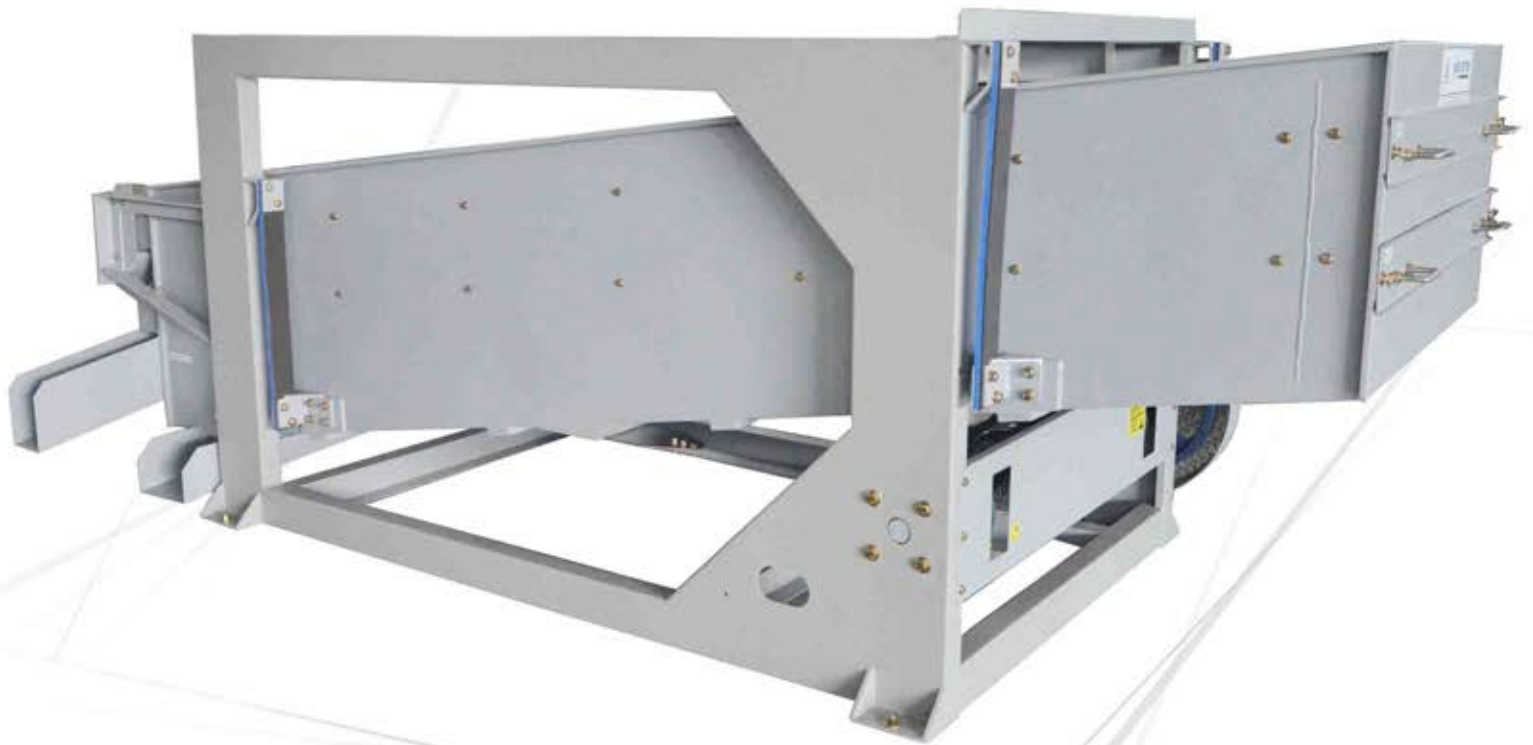
IPMA INDUSTRY SDN. BHD.

益马工业有限公司

198501004398 (136837-P)



Model : HKS-1000



OUTPUT



Broken Rice



Immatured Grain



Husk



Dust

www.ipmaindustry.com

Details provided about the properties and usability of the products are purely for information purposes and do not constitute a guarantee of these characteristics. The extent of goods delivered and services performed is determined by the subject matter of the specific contract. No liability accepted for errors or omissions.

IPMA

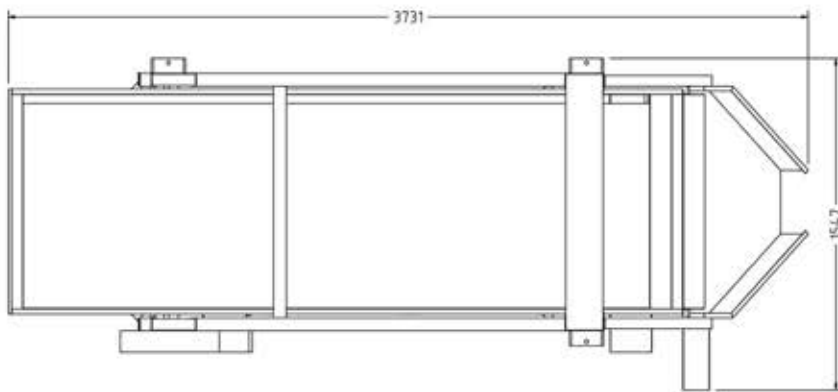
Your One Stop Rice Processing And Solution Centre!



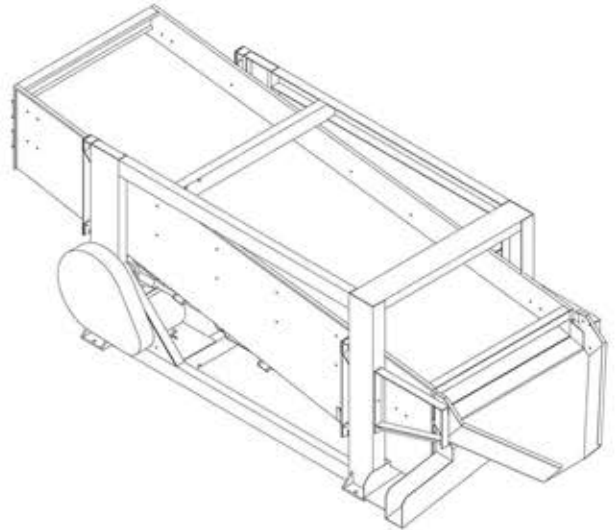
Technical Specification

Husk Sifter

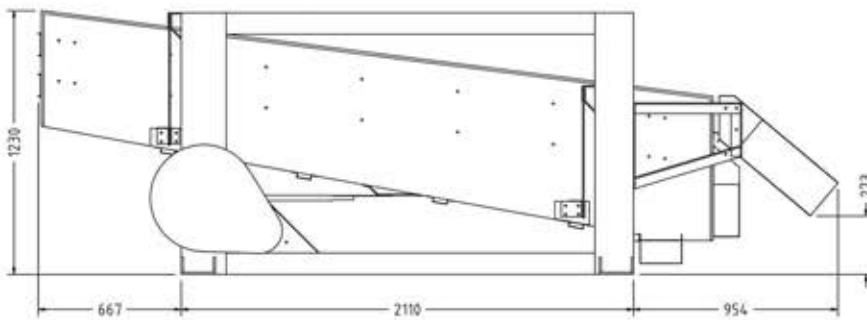
Model : HKS-1000



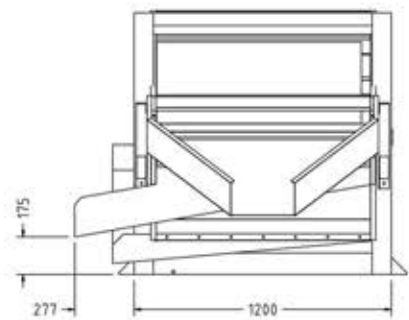
PLAN VIEW



ISOMETRIC VIEW



SIDE VIEW



FRONT VIEW

Model	Power Requirement	Output Capacity	Number of Screen	Dimension(MM) (L x W x H)
HKS-1000	3.0 HP		2 Layer	3731 x 1477 x 1230

