

Paddy Husker

IPMA INDUSTRY SDN. BHD.

益马工业有限公司

198501004398 (136837-P)



Model : PH-200 / PH-300

Combination of high capacity Closed Circuit
Husk Separator and Automatic Rice Huller



PH-200 (AH-10 + HS-200)



PH-300 (AH-250 + HS-300)

INPUT



Paddy



OUTPUT



Hulled Rice



Immatured Grain



Husk

www.ipmaindustry.com

Details provided about the properties and usability of the products are purely for information purposes and do not constitute a guarantee of these characteristics. The extent of goods delivered and services performed is determined by the subject matter of the specific contract. No liability accepted for errors or omissions.

IPMA

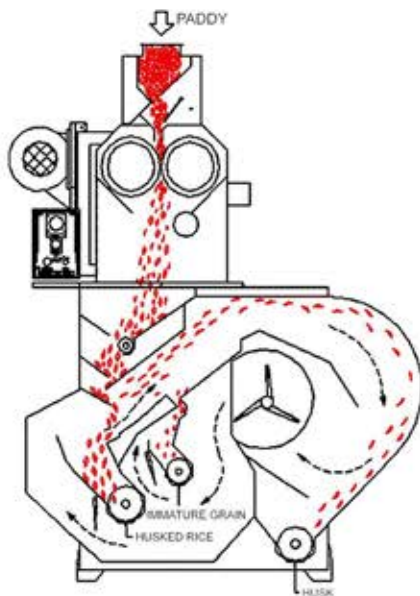
Your One Stop Rice Processing And Solution Centre!



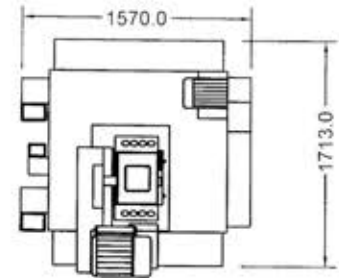
Technical Specification

Paddy Husker Model: PH-200 / PH-300

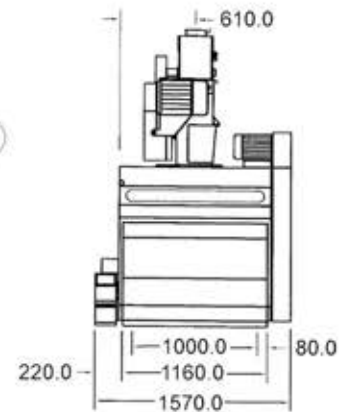
AIR FLOW DIAGRAM VIEW



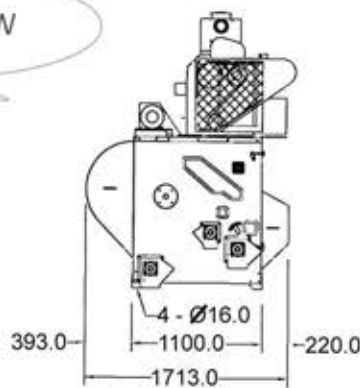
TOP VIEW



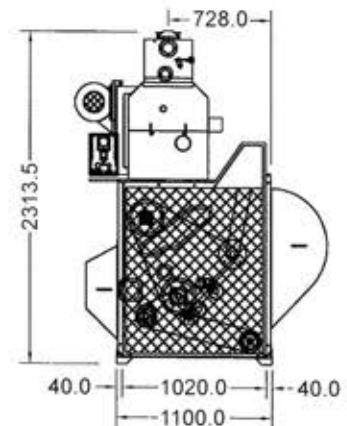
FRONT VIEW



LEFT VIEW



RIGHT VIEW



Model	Power Requirement	Output Capacity	Rubber Roll Size (MM)	Dimension(MM) (L x W x H)
AH-10	10 HP	1.5-2.0 T/H for Rice	Ø254 X 254	1030 x 620 x 1055
AH-250	10 HP	2.0-3.0 T/H for Rice		1200 x 800 x 1570
HS-200	3 HP	1.8-2.2 T/H for Rice	—	1709 x 1620 x 1496
HS-300	3 HP	2.8-3.0 T/H for Rice	—	1712 x 2218 x 1880



ISO 9001 : 2015
Approval No : 0048394