

Paddy Separator

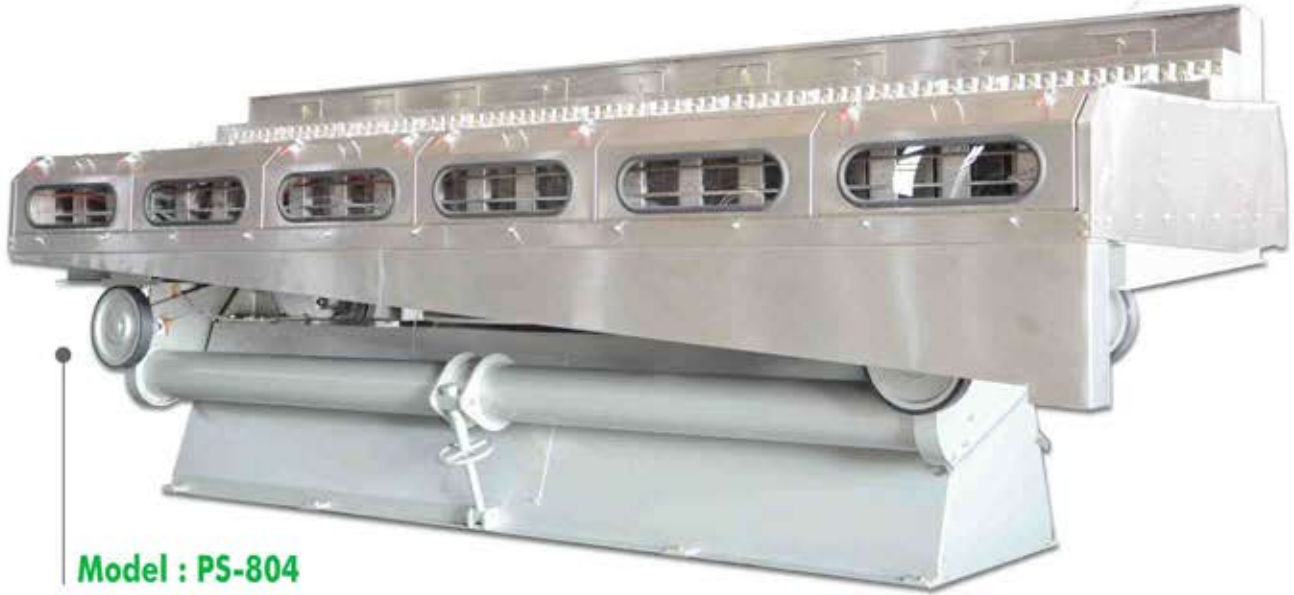
IPMA INDUSTRY SDN. BHD.

益马工业有限公司

198501004398 (136837-P)



Model : PS-484 / PS-724 / PS-726 / PS-804 / PS-905 / PS-1086



Model : PS-804

OUTPUT



Brown Rice



Unhulled Rice



Model : PS-724



Model : PS-484

www.ipmaindustry.com

Details provided about the properties and usability of the products are purely for information purposes and do not constitute a guarantee of these characteristics. The extent of goods delivered and services performed is determined by the subject matter of the specific contract. No liability accepted for errors or omissions.

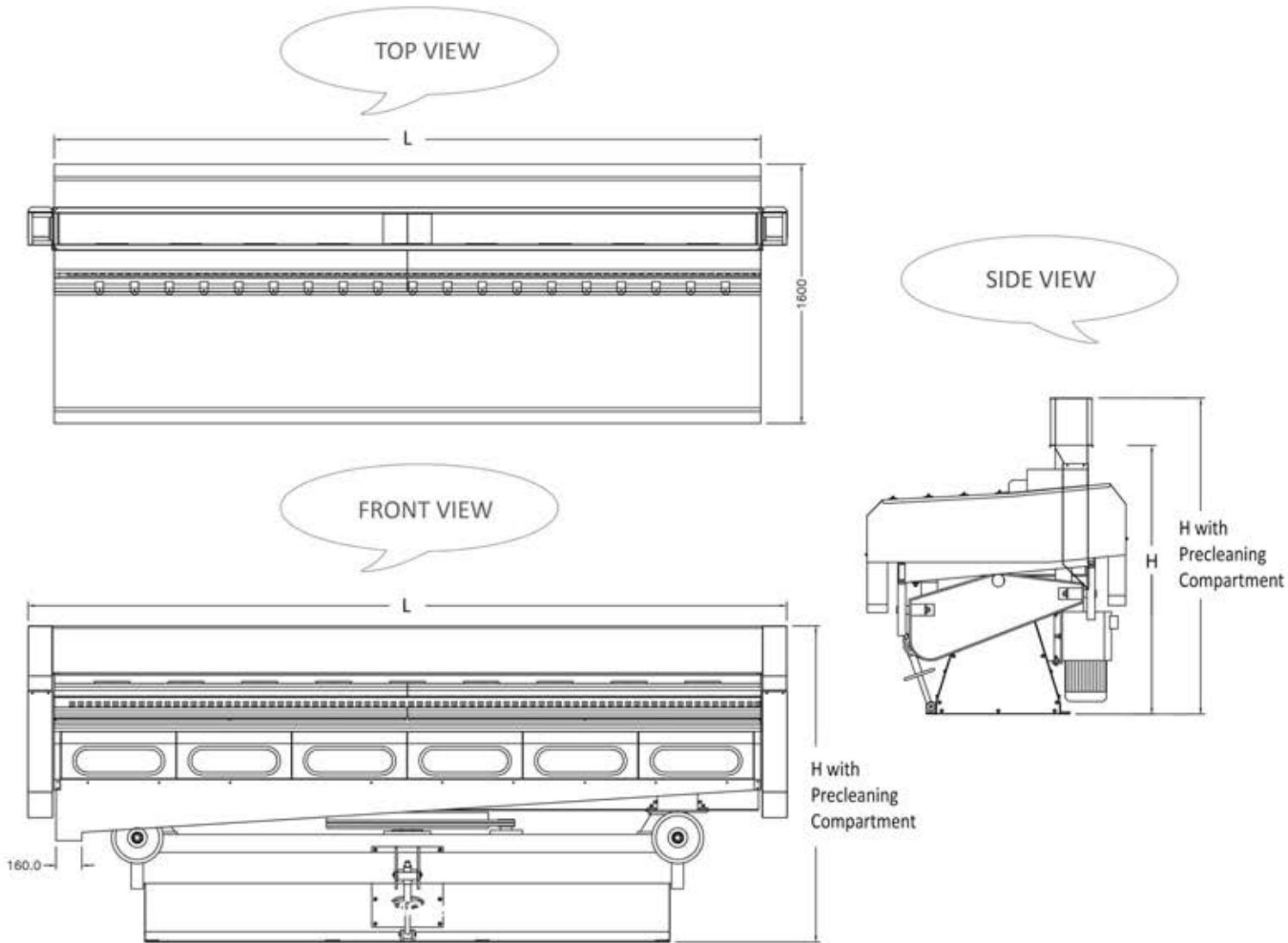
IPMA

Your One Stop Rice Processing And Solution Centre!



Technical Specification

Paddy Separator Model : PS-484 / PS-724 / PS-726 / PS-804 / PS-905 / PS-1086



Model	Power Requirement	Output Capacity	Number of Compartments	Arrangement of Compartments	Weight	Dimension(MM) (L x W x H (H with Precleaning Compartment))
PS-905	5 HP	3.5-5.0 T/H	90	5 X 18	2,700 KG	3940 x 1600 x 1800 (2031)

