

Precleaner

IPMA INDUSTRY SDN. BHD.

益马工业有限公司

199501004398 (136837-P)



Model : PCR-A-2000



INPUT



Rice



OUTPUT



Finished Good



Large Impurities



Fine Impurities



Dust

www.ipmaindustry.com

Details provided about the properties and usability of the products are purely for information purposes and do not constitute a guarantee of these characteristics. The extent of goods delivered and services performed is determined by the subject matter of the specific contract. No liability accepted for errors or omissions.

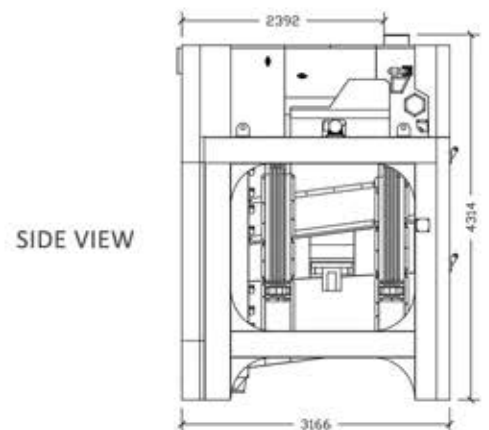
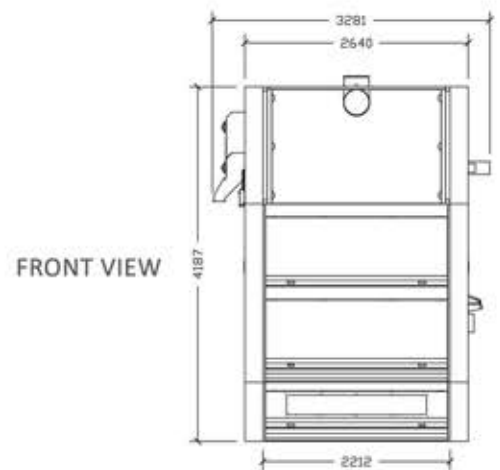
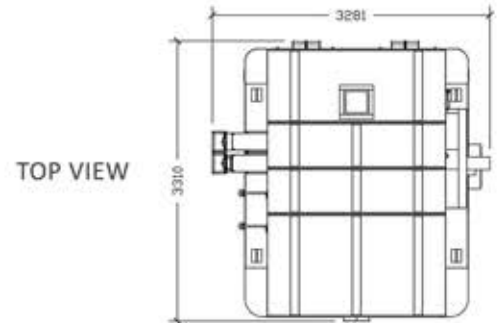
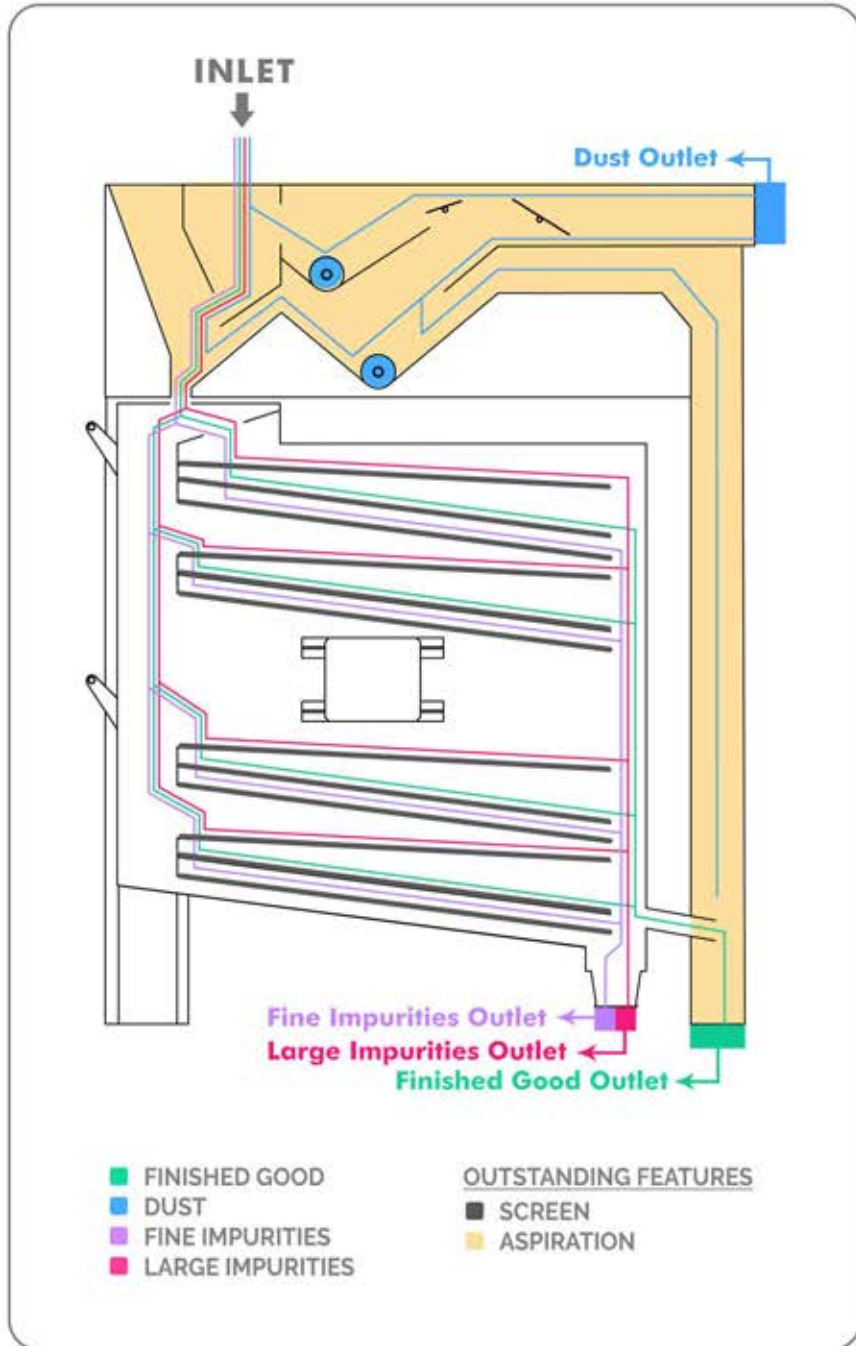
IPMA

Your One Stop Rice Processing And Solution Centre!



Technical Specification

Precleaner Model: PCR-A-2000



Model	Power Requirement	Output Capacity	Weight	Dimension(MM) (L x W x H)
PCR-A-2000	3 HP x 4 Pole	100 T/H for Pre Cleaning 40 T/H for Fine Cleaning	6.35 TONNE <i>Approximately</i>	3310 x 3281 x 4341



ISO 9001 : 2015
Approval No : 0048394

TEL: 604-9178799

FAX: 604-9176799

EMAIL: ipma@ipmaindustry.com

WEB: www.ipmaindustry.com

Address: LOT 1266, BANDAR DARULAMAN INDUSTRIAL PARK, 06000 JITRA, KEDAH DARUL AMAN, MALAYSIA.