

Rice Precleaner

with Pre Suction Aspirator

Model: SAB-A-800 / SAB-A-1000 / SAB-A-1250

IPMA INDUSTRY SDN. BHD.

益马工业有限公司

198501004398 (136837-P)



OUTPUT



Rice



Large Impurities



Small Grain



Dust

www.ipmaindustry.com

Details provided about the properties and usability of the products are purely for information purposes and do not constitute a guarantee of these characteristics. The extent of goods delivered and services performed is determined by the subject matter of the specific contract. No liability accepted for errors or omissions.

IPMA

Your One Stop Rice Processing And Solution Centre!

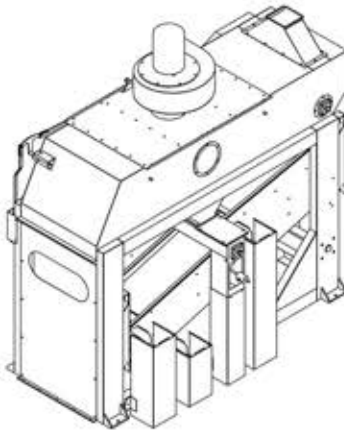


Technical Specification

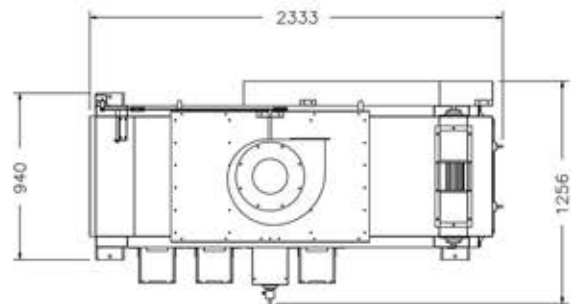
Rice Precleaner with Pre Suction Aspirator

Model: SAB-A-800 / SAB-A-1000 / SAB-A-1250

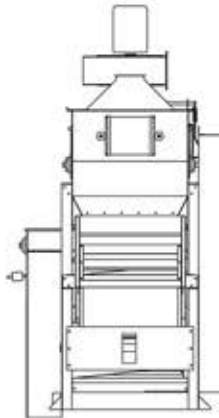
ISOMETRIC VIEW



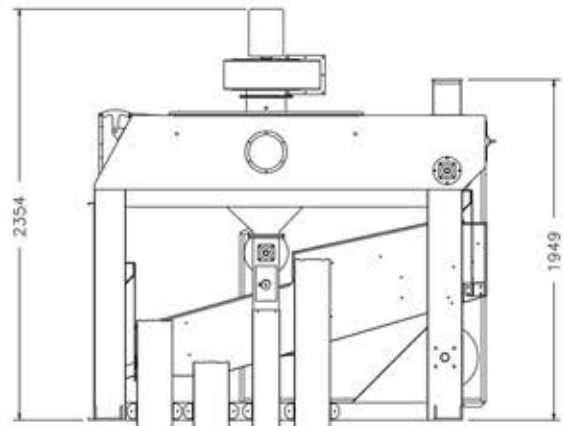
TOP VIEW



SIDE VIEW



FRONT VIEW



Model	Power Requirement	Output Capacity	Dimension(MM) (L x W x H)
SAB-A-800	1.1 kw + 4.125 kw	8 T/H	2242 x 1322 x 2354
SAB-A-1000	1.1 kw + 4.125 kw	10 T/H	2242 x 1522 x 2354
SAB-A-1250	1.1 kw + 4.125 kw	12 T/H	2242 x 1772 x 2354



ISO 9001 : 2015
Approval No : 0048394