



Rotary Valve

IPMA INDUSTRY SDN. BHD.

益马工业有限公司

198501004398 (136837-P)



Model : RV-20 / RV-40-25 / RV-40-35 / RV-40-45



www.ipmaindustry.com

Details provided about the properties and usability of the products are purely for information purposes and do not constitute a guarantee of these characteristics. The extent of goods delivered and services performed is determined by the subject matter of the specific contract. No liability accepted for errors or omissions.

IPMA

Your One Stop Rice Processing And Solution Centre!

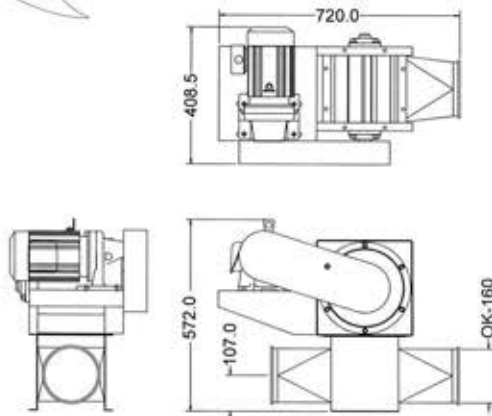


Technical Specification

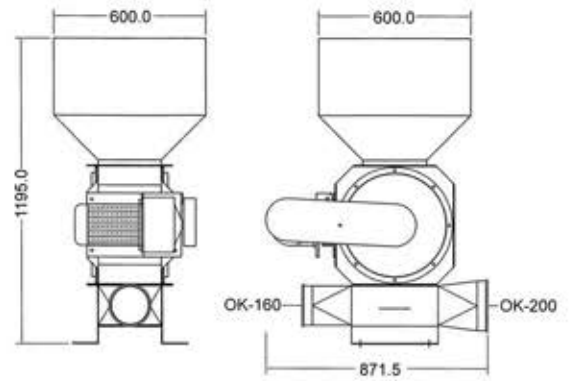
Rotary Valve

Model: RV-20 / RV-40-25 / RV-40-35 / RV-40-45

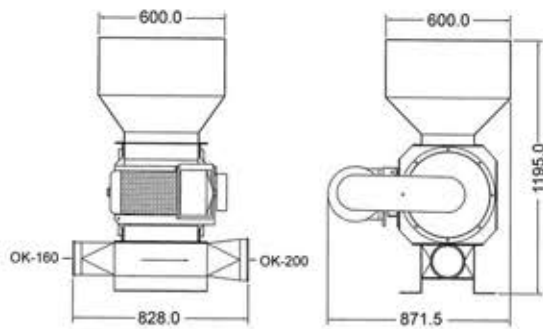
RV-20



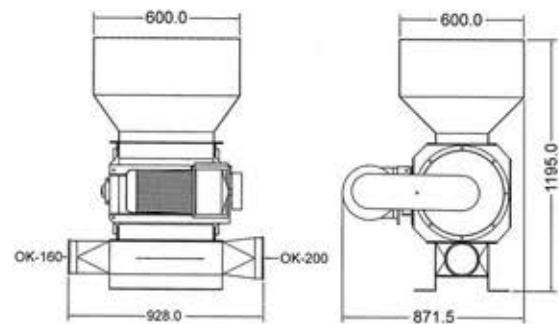
RV-40-25



RV-40-35



RV-40-45



Model	Power Requirement	Speed (RPM)	Dimension(MM) (L x W x H)
RV-20	0.75 KW	69	720 x 409 x 572
RV-40-25	1.5 KW	41	872 x 600 x 1195
RV-40-35	2.25 KW	41	828 x 872 x 1195
RV-40-45	2.25 KW	41	928 x 872 x 1195



ISO 9001 : 2015
Approval No : 0048394