

S - type Conveyor

(with plastic flight - belting)

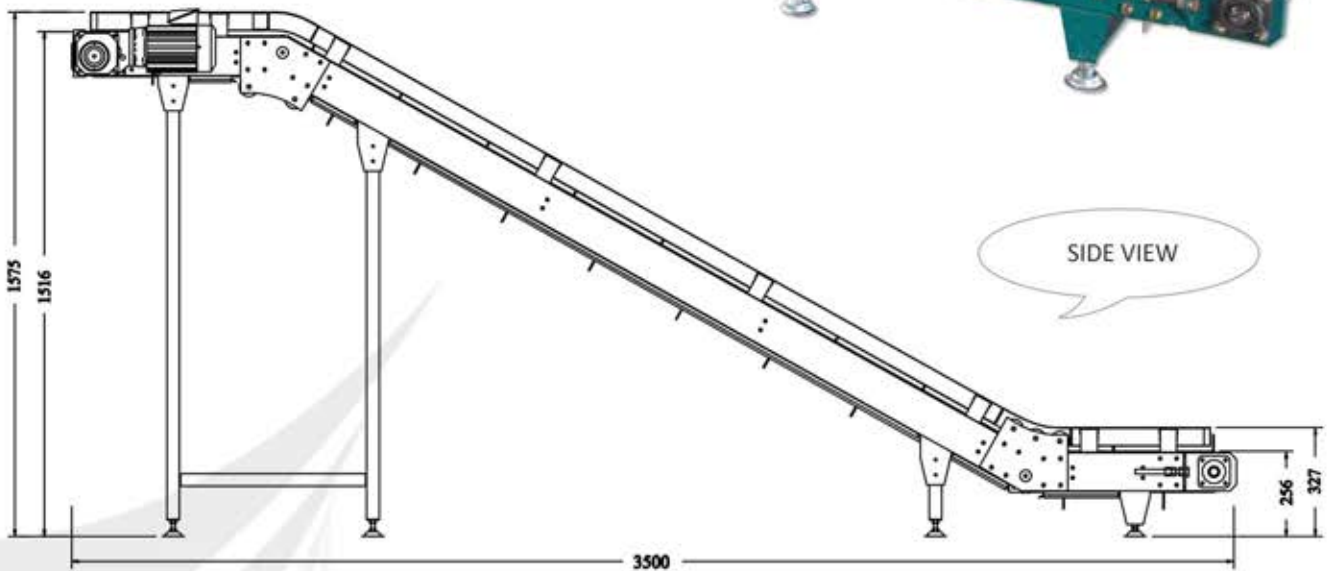
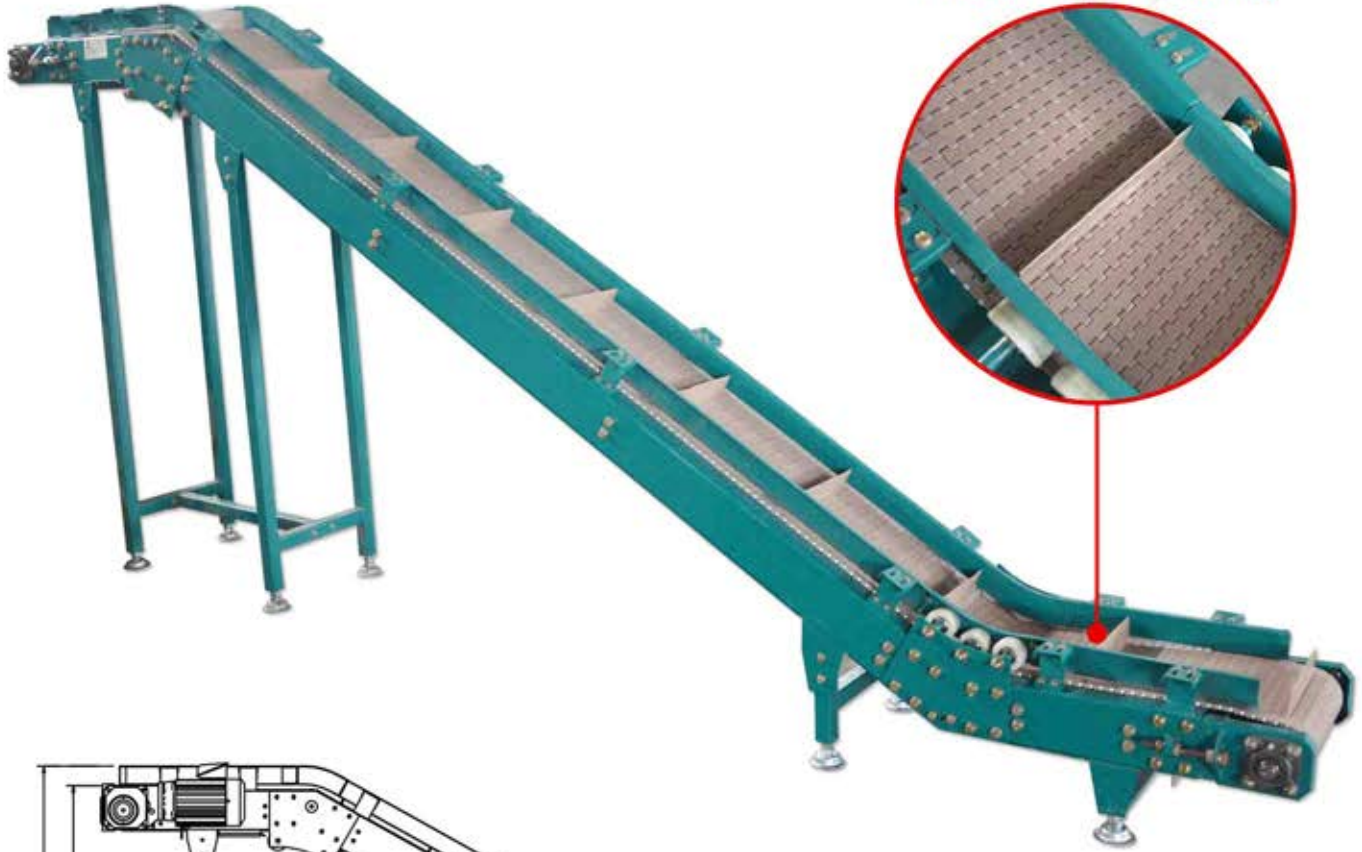
IPMA INDUSTRY SDN. BHD.

益马工业有限公司

198501004398 (136837-P)



Plastic flight belting



Belt Type	Belt Dimension (W x L)	Motor Power Requirement	Weight	Dimension (MM) (L x W x H)
with Plastic flight	300 x 7710 (Endless)	0.75 KW	157 KG	3500 x 390 x 1575

www.ipmaindustry.com

Details provided about the properties and usability of the products are purely for information purposes and do not constitute a guarantee of these characteristics. The extent of goods delivered and services performed is determined by the subject matter of the specific contract. No liability accepted for errors or omissions.



Your One Stop Rice Processing And Solution Centre!