

Semi Auto Packer

Suger & Flour

IPMA INDUSTRY SDN. BHD.

益马工业有限公司

198501004398 (136837-P)



Model : SAP - 35 - SG



Model	Weighing Range	Power Requirement	Output Capacity	Dimension(MM) (L x W x H)
SAP-35-SG	500G - 1KG	3 Phase / 415V	4-5 BAGS/MIN	3011 x 1046 x 2444

* Depend on operator speed

www.ipmaindustry.com

Details provided about the properties and usability of the products are purely for information purposes and do not constitute a guarantee of these characteristics. The extent of goods delivered and services performed is determined by the subject matter of the specific contract. No liability accepted for errors or omissions.

IPMA

Your One Stop Rice Processing And Solution Centre!

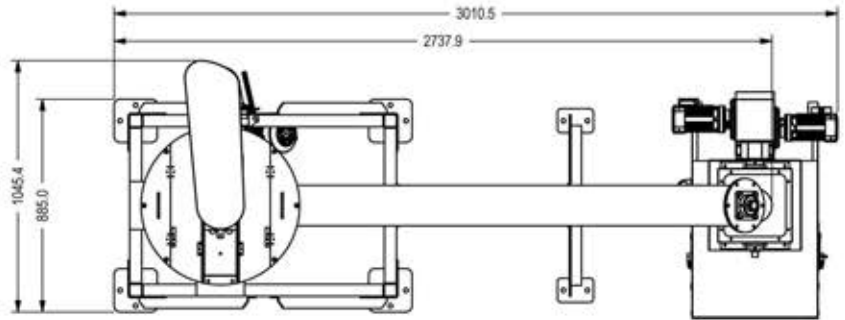


Technical Specification

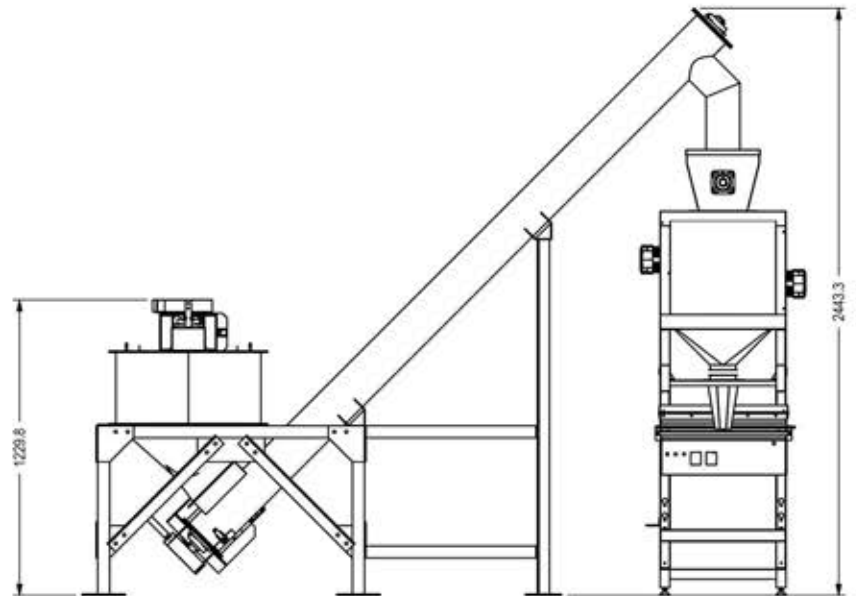
Semi Auto Packer

Model: SAP-35-SG

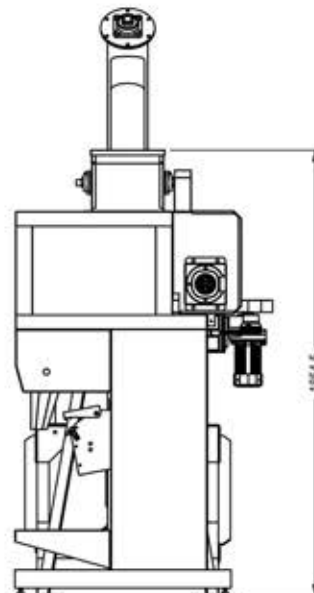
TOP VIEW



FRONT VIEW



SIDE VIEW



ISO 9001 : 2015
Approval No : 0048394