

# Small Scale Precleaner

Model : SPC-450

IPMA INDUSTRY SDN. BHD.

益马工业有限公司

198501004398 (136837-P)



Video



## OUTPUT



Husk



Small Impurities



Large Impurities



Paddy



Dust

[www.ipmaindustry.com](http://www.ipmaindustry.com)

Details provided about the properties and usability of the products are purely for information purposes and do not constitute a guarantee of these characteristics. The extent of goods delivered and services performed is determined by the subject matter of the specific contract. No liability accepted for errors or omissions.

# IPMA

Your One Stop Rice Processing And Solution Centre!

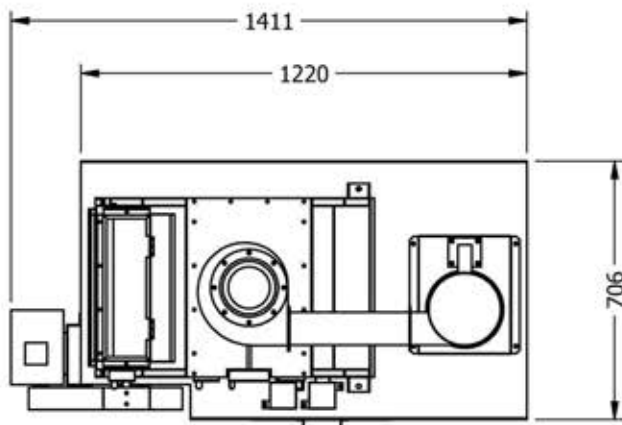


# Technical Specification

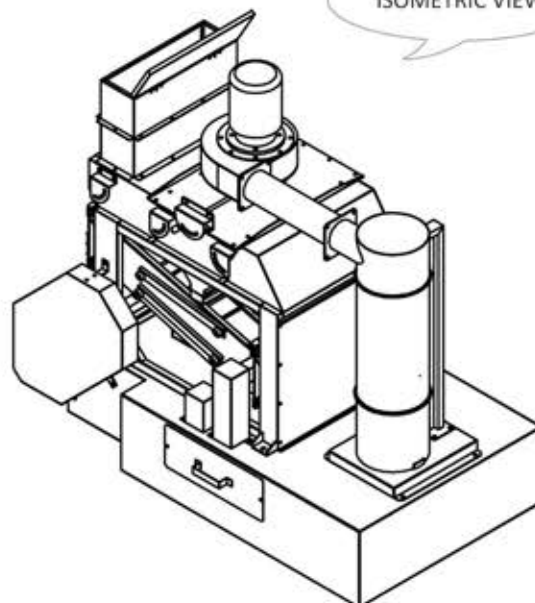
## Small Scale Precleaner

Model : SPC-450

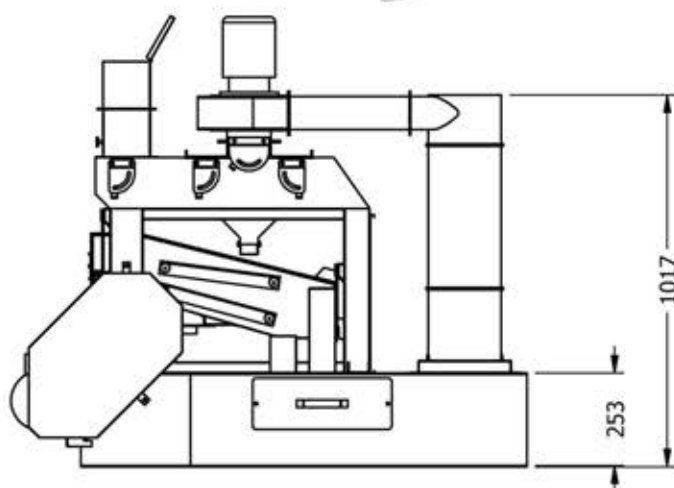
TOP VIEW



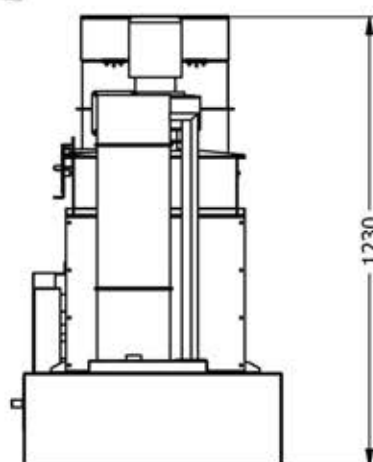
ISOMETRIC VIEW



SIDE VIEW



FRONT VIEW



Model	Power Requirement	Screen Width 2 Layers	Weight	Dimension (MM) (L x W x H)
SPC-450	0.25 HP x 2	400 x 600 MM	171 KG	1411 x 706 x 1017

