

Small Scale Vibrating Sifter

IPMA INDUSTRY SDN. BHD.

益马工业有限公司

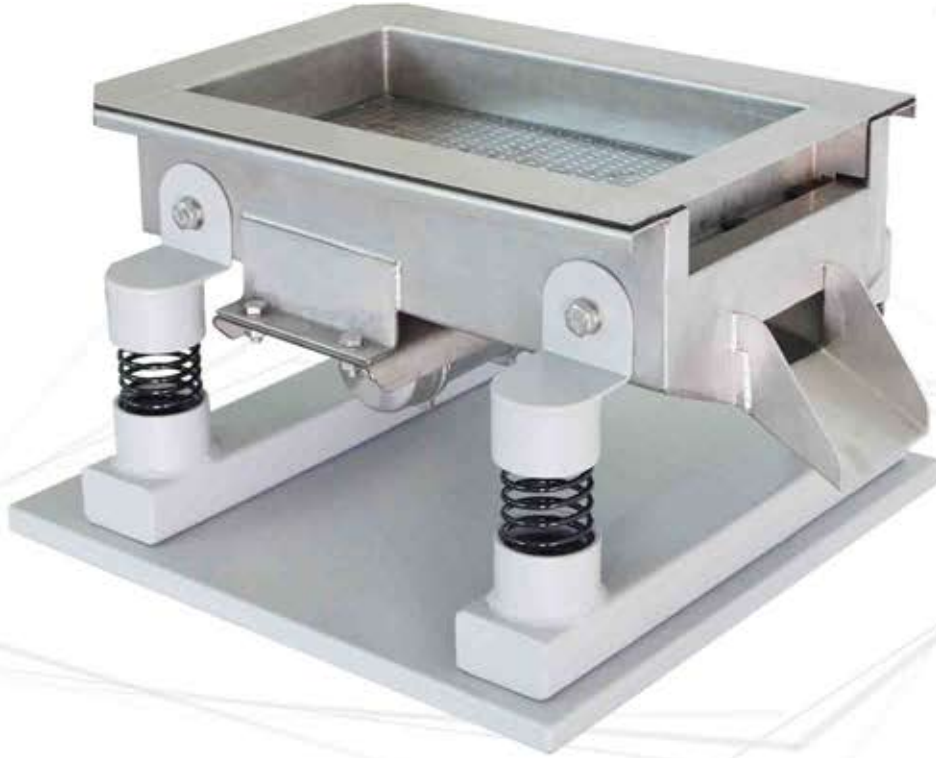
198501004398 (136837-P)



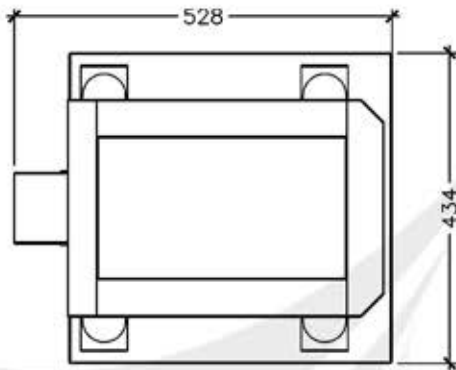
Model : SVS-15



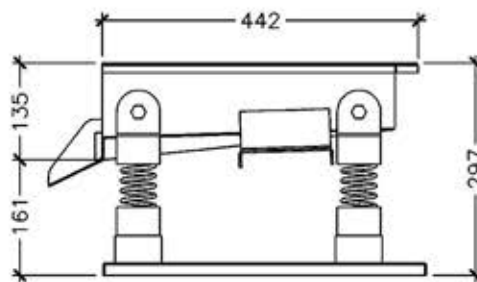
Video



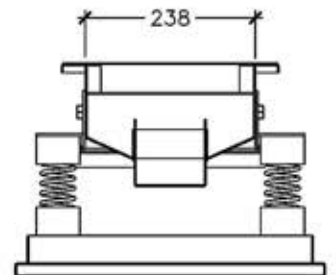
TOP VIEW



SIDE VIEW



FRONT VIEW



Model	Power Requirement	Voltage	Screen Size (MM) (L x W)	Weight	Dimension(MM) (L x W x H)
SVS-15	0.17AMP Single Phase	220-240V 50/60HZ	380 x 230	19 KG	528 x 434 x 297

www.ipmaindustry.com

Details provided about the properties and usability of the products are purely for information purposes and do not constitute a guarantee of these characteristics. The extent of goods delivered and services performed is determined by the subject matter of the specific contract. No liability accepted for errors or omissions.

IPMA

Your One Stop Rice Processing And Solution Centre!