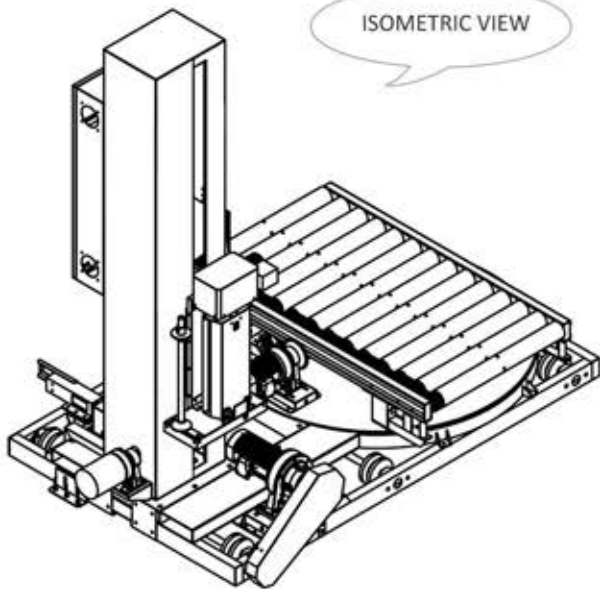




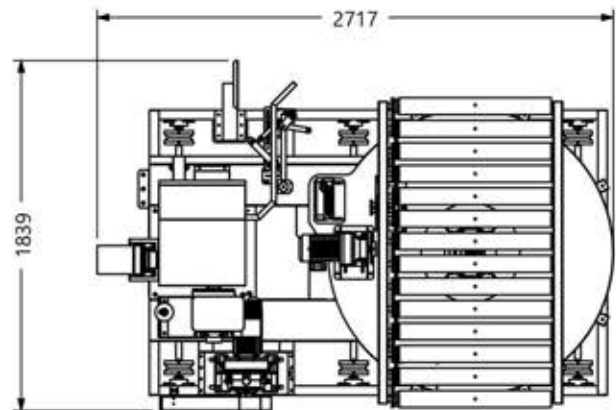
Technical Specification

Turntable Pallet Wrapper

Model: TPW-M-1500-PLR

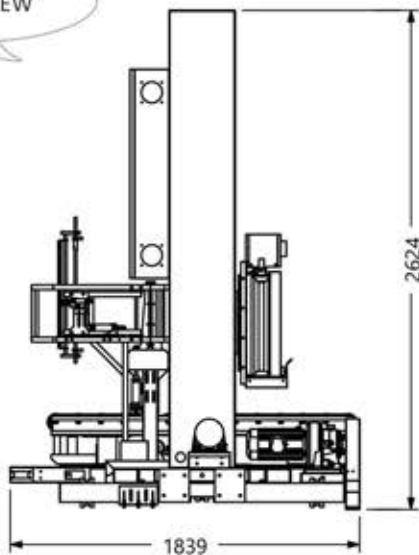


ISOMETRIC VIEW

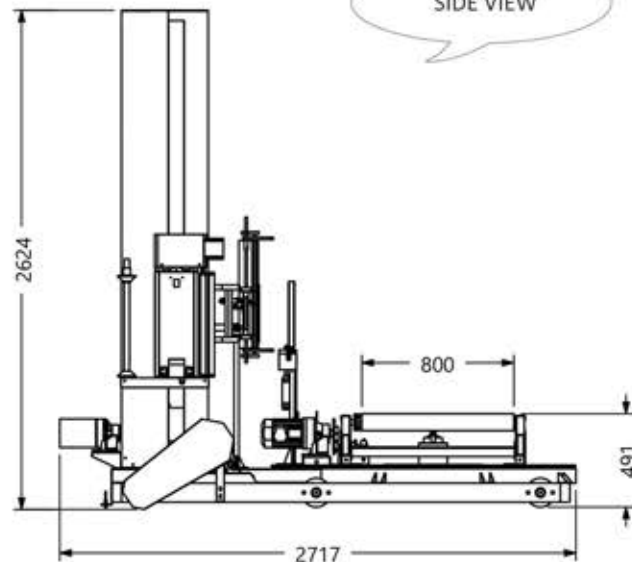


TOP VIEW

FRONT VIEW



SIDE VIEW



Model	Power Voltage	Air Pressure	Speed of Turnplate	Film Max Height	Film Outer Diameter	Weight	Dimension(MM) (L x W x H)
TPW-1500-PLC	3 Phase 415V 50Hz	4 - 6 bar	0 - 9 r/min	500 mm	φ200		2214 x 2442 x 2486



ISO 9001 : 2015
Approval No : 0048394