

Wood Chopper

Model: WC-1200

IPMA INDUSTRY SDN. BHD.

益马工业有限公司

198501004398 (136837-P)



Model	Weight	Dimension(MM) (L x W x H)
WC-1200	1900 KG	1867 x 1340 x 2202

www.ipmaindustry.com

Details provided about the properties and usability of the products are purely for information purposes and do not constitute a guarantee of these characteristics. The extent of goods delivered and services performed is determined by the subject matter of the specific contract. No liability accepted for errors or omissions.

IPMA

Your One Stop Rice Processing And Solution Centre!

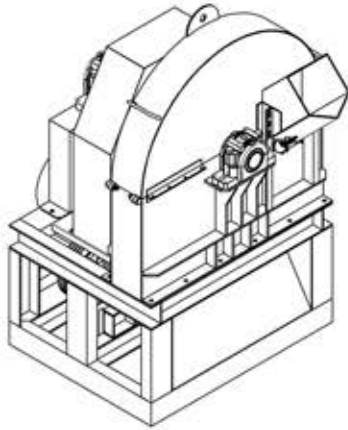


Technical Specification

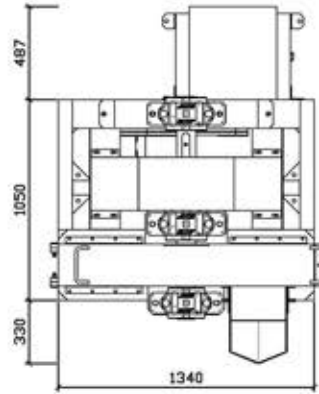
Wood Chopper

Model: WC-1200

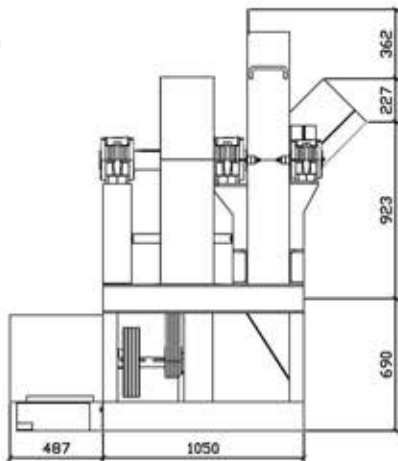
ISOMETRIC VIEW



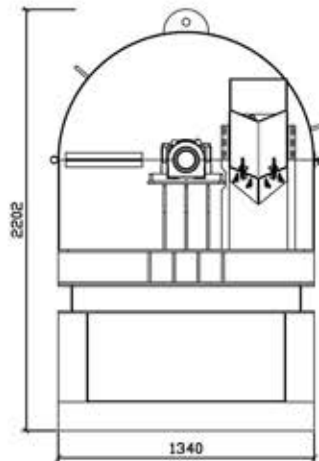
TOP VIEW



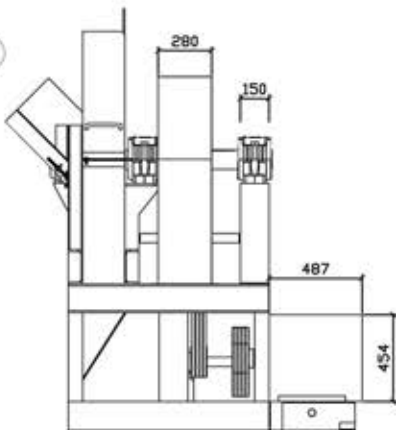
SIDE VIEW



FRONT VIEW



SIDE VIEW



ISOMETRIC VIEW

