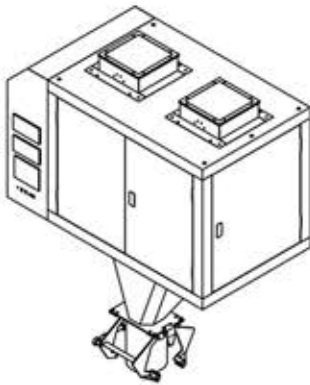


# Technical Specification

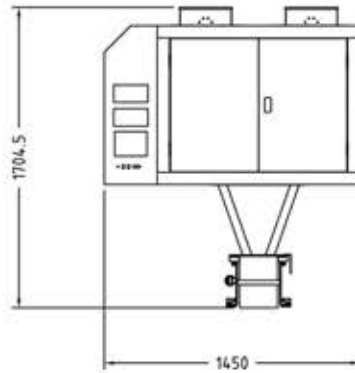
## Semi Auto Packer (Twin Type)

Model	Weighing Range	Voltage	Output Capacity	Dimension (MM) (L x W x H)
SAP-50-2-CT	5-50KG	220V 50/60Hz	8 - 10 Bags/min	800 x 1450 x 1704

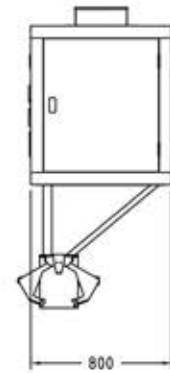
ISOMETRIC VIEW



FRONT VIEW



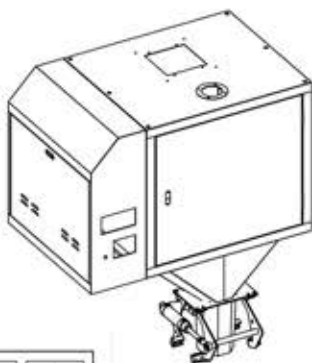
SIDE VIEW



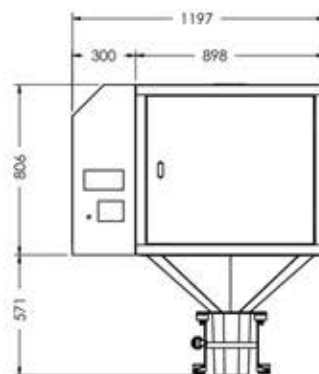
## Semi Auto Packer (Clamp Type)

Model	Weighing Range	Voltage	Air Pressure	Dimension (MM) (L x W x H)
SAP-20-CT	5-20KG	220V 50/60Hz	5 Bar	1197 x 780 x 1377
SAP-50-CT	5-50KG	220V 50/60Hz	5 Bar	880 x 900 x 1450

ISOMETRIC VIEW



FRONT VIEW



SIDE VIEW

