

Semi Auto Packer (Bagging Machine)

IPMA INDUSTRY SDN. BHD.

益马工业有限公司

198501004398 (136837-P)

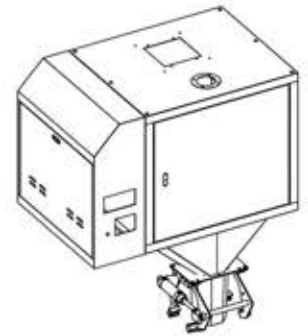


Model: SAP-20-CT, SAP-50-CT

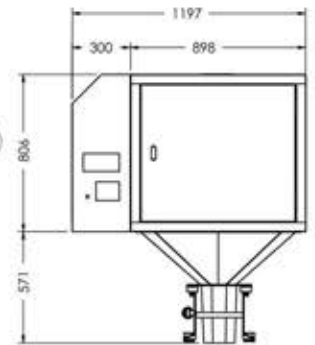


Video

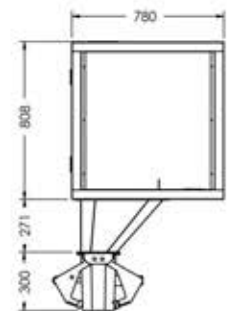
ISOMETRIC VIEW



FRONT VIEW



SIDE VIEW



(Clamp Type)

[+]



User Friendly Indicator

[+]



High Quality Pneumatic Parts

[+]



Reliable PLC Control

[+]



Easy Operation

Model	Weighing Range	Voltage	Air Pressure	Dimension (MM) (L x W x H)
SAP-20-CT	5-20KG	220V 50/60Hz	5 Bar	1197 x 780 x 1377
SAP-50-CT	5-50KG	220V 50/60Hz	5 Bar	880 x 900 x 1450

www.ipmaindustry.com

Details provided about the properties and usability of the products are purely for information purposes and do not constitute a guarantee of these characteristics. The extent of goods delivered and services performed is determined by the subject matter of the specific contract. No liability accepted for errors or omissions.



Your One Stop Rice Processing And Solution Centre!