

Weighing Machine

IPMA INDUSTRY SDN. BHD.

益马工业有限公司

198501004398 (136837-P)



Semi Auto Packer
(Twin Type)
Model: SAP-50-2-CT



Inclined Flat Belt Discharge Conveyor
(with manual adjustable stand)
Model : DC-H-I-M-400



Heavy Duty Flat Belt
Discharge Conveyor
(with Motorize Scissor Lifting)
Model : DC-H-400



Vertical Continuous
Band Sealer
Model : BS-40

www.ipmaindustry.com

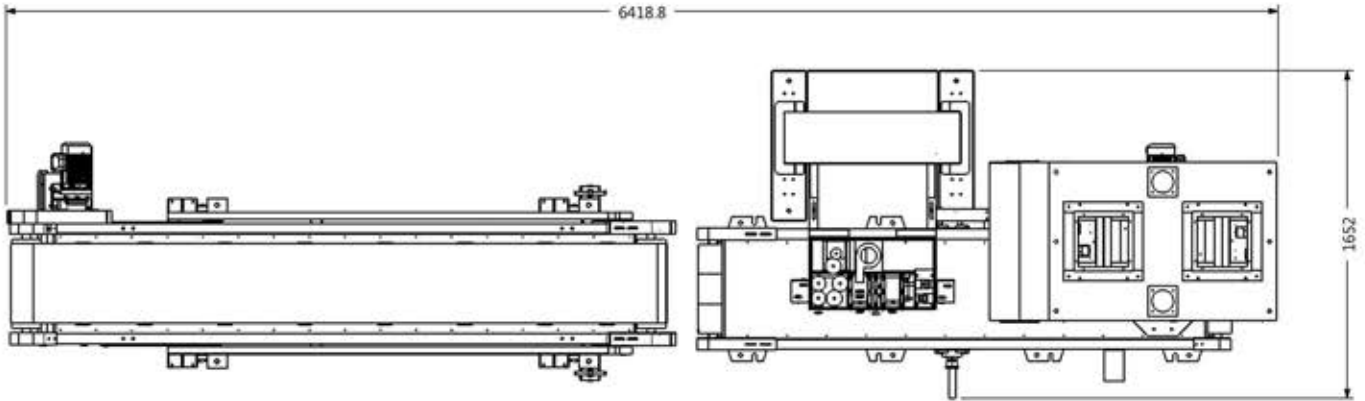
Details provided about the properties and usability of the products are purely for information purposes and do not constitute a guarantee of these characteristics. The extent of goods delivered and services performed is determined by the subject matter of the specific contract. No liability accepted for errors or omissions.

IPMA

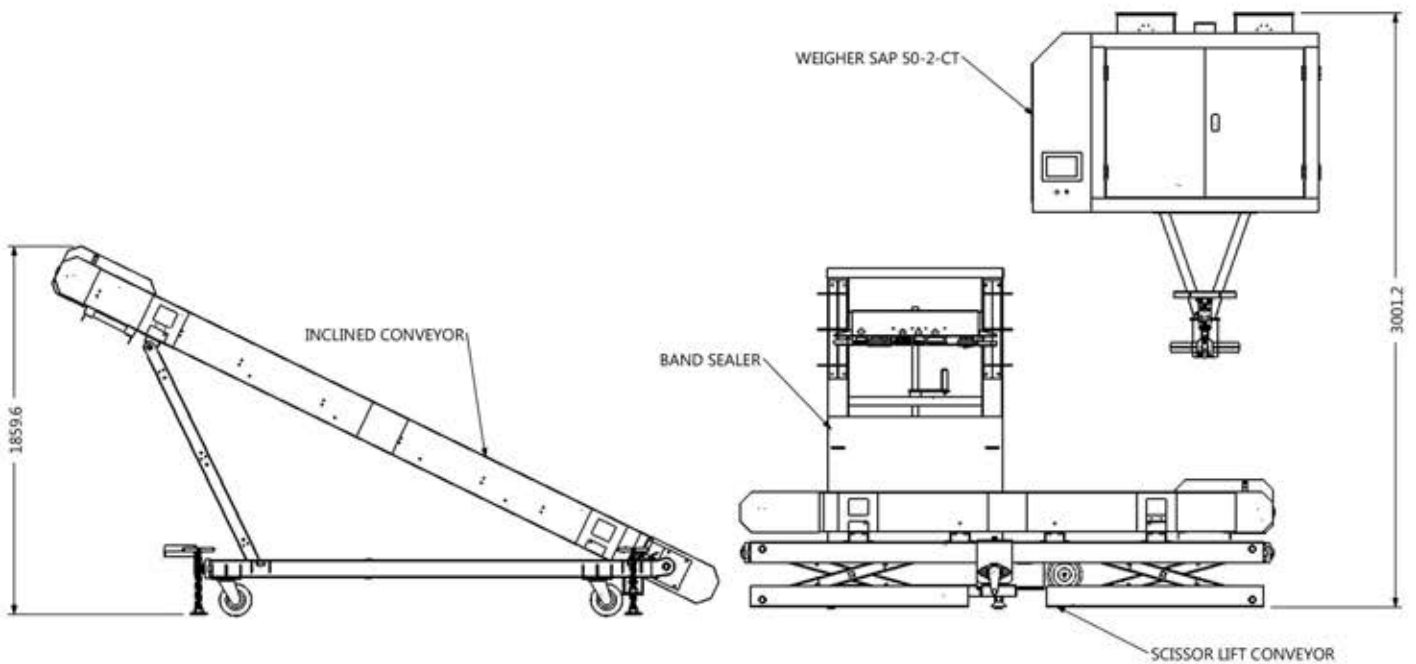
Your One Stop Rice Processing And Solution Centre!

Technical Specification

Weighing Machine



▲ TOP VIEW



▲ SIDE VIEW

Semi Auto Packer (Twin Type)

Model : SAP-50-2-CT
Weighing Range : 5-50 KG
Voltage : 220V 50-60 Hz
Output Capacity : 8 -10 Bags/min

Heavy Duty Flat Belt Discharge Conveyor (Scissor Lift)

Model : DC-H-400
Belting : 400 mm (Width)
 Rubber Belt
Conveyor Length : 2694mm

Inclined Flat Belt Discharge Conveyor

Model : DC-H-I-M-400
Belting : 400 mm (Width)
 Rubber Belt
Conveyor Length : 3701mm

Vertical Continuous Band Sealer

Model : BS-40
Sealing Width : 6 or 8mm
Sealing Speed : 7m/min
Seal Temperature : 0 - 300°C
Power : 1P AC230V, 50Hz, 850W



ISO 9001 : 2015
 Approval No : 0048394