

Weighing Machine

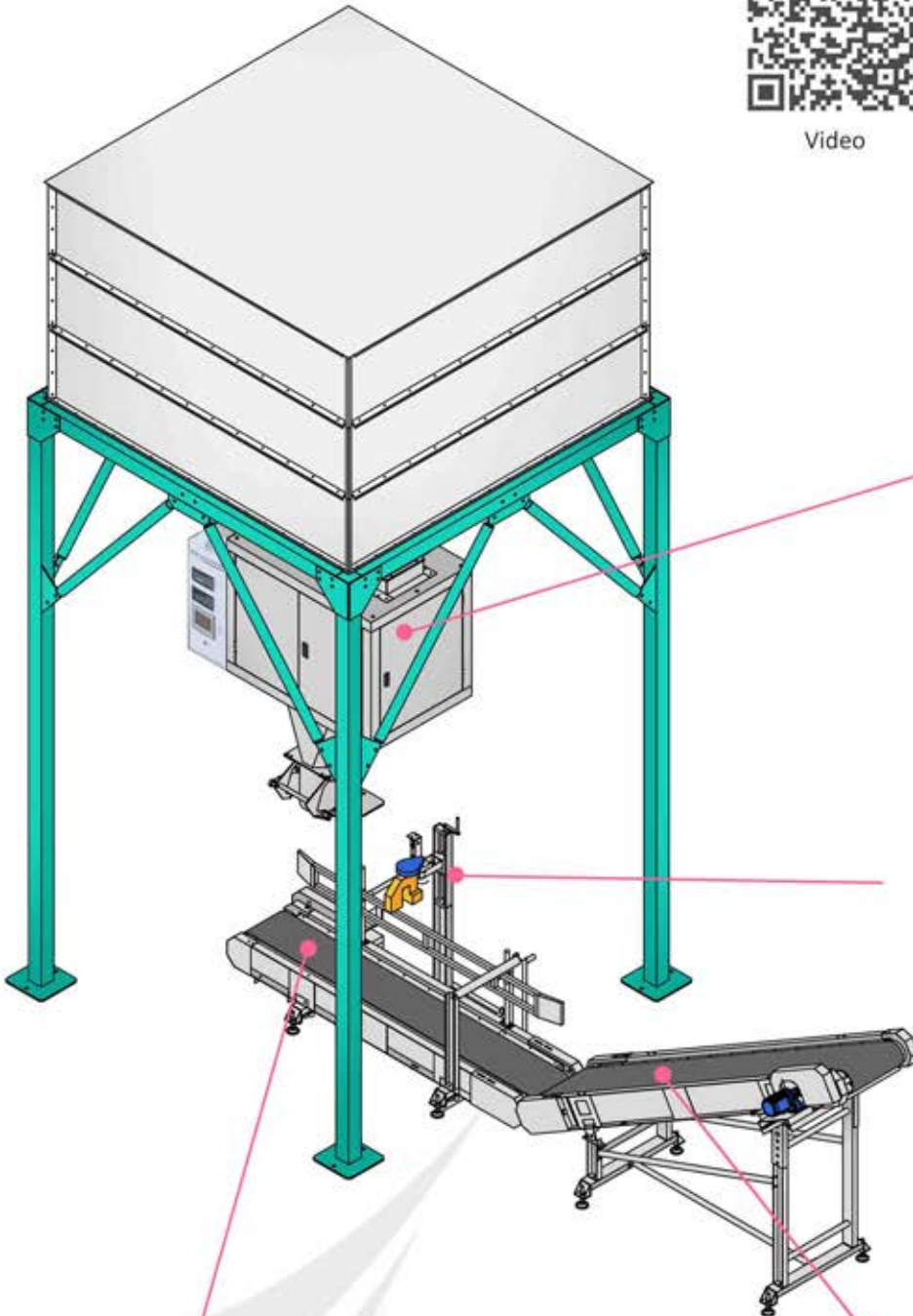
IPMA INDUSTRY SDN. BHD.

益马工业有限公司

198501004398 (136837-P)



Video



Semi Auto Packer (Twin Type)
Model: SAP-50-2-CT



Model : NP-7A

or



Model : DS-9C

Bag Sewing Machine



Heavy Duty Discharge Belt Conveyor
Model : DC-H-600



Incline Heavy Duty Discharge
Belt Conveyor
Model : DC-H-I-600

www.ipmaindustry.com

Details provided about the properties and usability of the products are purely for information purposes and do not constitute a guarantee of these characteristics. The extent of goods delivered and services performed is determined by the subject matter of the specific contract. No liability accepted for errors or omissions.

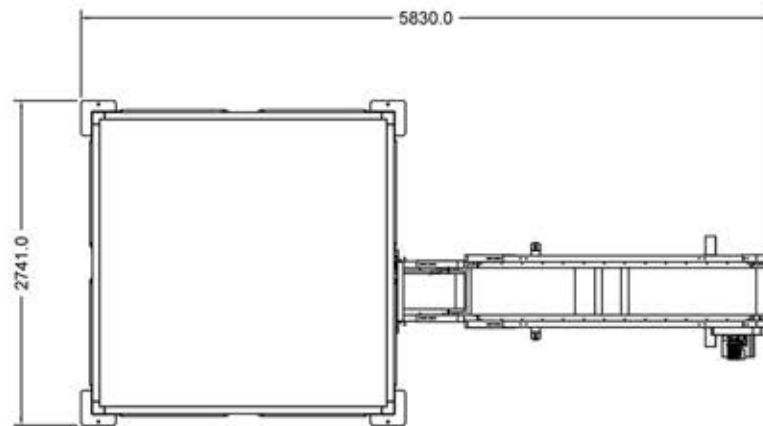
IPMA

Your One Stop Rice Processing And Solution Centre!

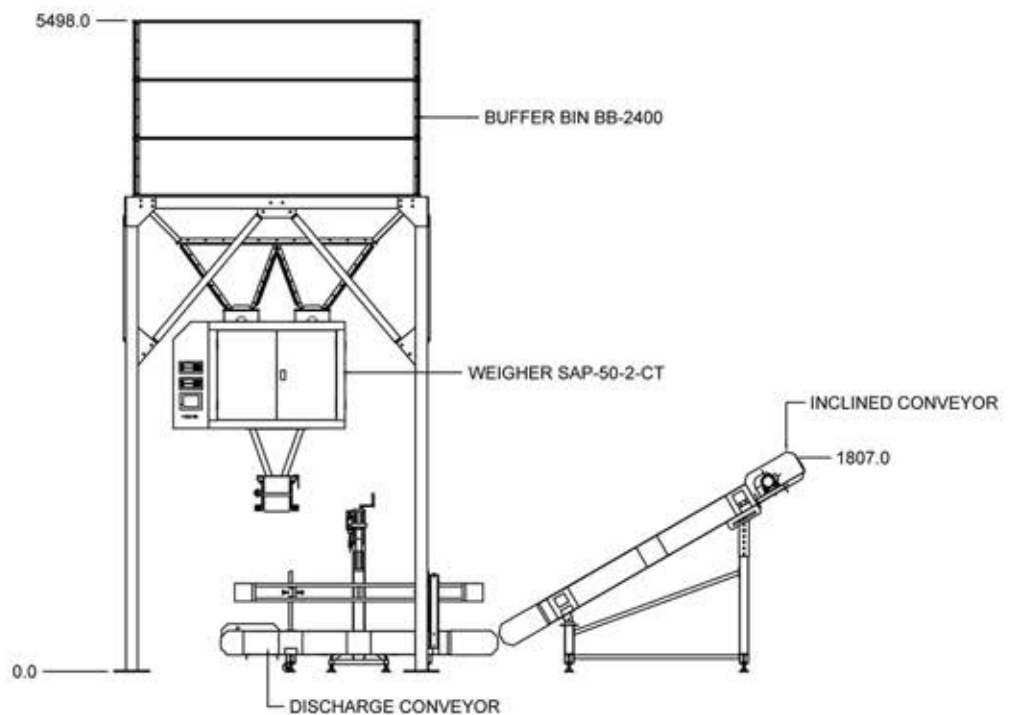
Technical Specification

Weighing Machine

TOP VIEW



SIDE VIEW



Semi Auto Packer (Twin Type)

Model : SAP-50-2-CT
 Weighing Range : 5-50 KG
 Voltage : 220V 50-60 Hz
 Output Capacity : 8-10 Bags/min

Heavy Duty Discharge Belt Conveyor

Model : DC-H-300
 Belting : 300 mm (Width) Rubber Belt
 Conveyor Length : 2436mm
 Weight : 154 KG

Bag Sewing Machine

Model : SWS-DS-9C
 Brake Motor : 4P, 3 Phase, 0.75kw or 0.4kw
 Max Speed : 2700 rpm
 Stitch Width : 7 - 10.5mm (standard setting 10mm)

