

Semi Auto Packer (Bagging Machine)

IPMA INDUSTRY SDN. BHD.

益马工业有限公司

198501004398 (136837-P)



Video



(Twin Type)
Model: SAP-50-2-CT



(Clamp Type)
Model: SAP-20-CT, SAP-50-CT

[+]



User Friendly Indicator

[+]



High Quality Pneumatic Parts

[+]



Reliable PLC Control

[+]



Easy Operation

www.ipmaindustry.com

Details provided about the properties and usability of the products are purely for information purposes and do not constitute a guarantee of these characteristics. The extent of goods delivered and services performed is determined by the subject matter of the specific contract. No liability accepted for errors or omissions.

IPMA

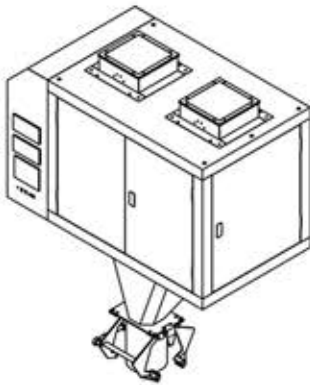
Your One Stop Rice Processing And Solution Centre!

Technical Specification

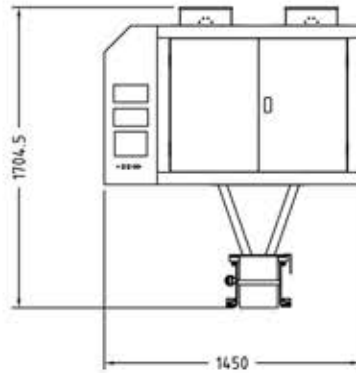
Semi Auto Packer (Twin Type)

Model	Weighing Range	Voltage	Output Capacity	Dimension (MM) (L x W x H)
SAP-50-2-CT	5-50KG	220V 50/60Hz	8 - 10 Bags/min	800 x 1450 x 1704

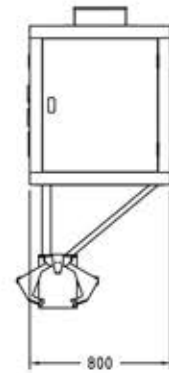
ISOMETRIC VIEW



FRONT VIEW



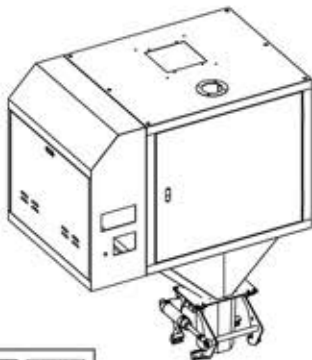
SIDE VIEW



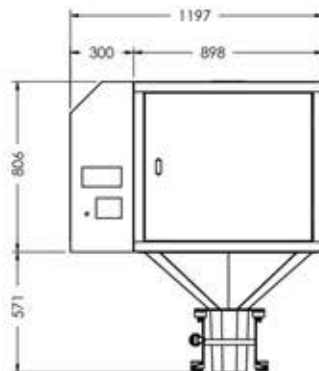
Semi Auto Packer (Clamp Type)

Model	Weighing Range	Voltage	Air Pressure	Dimension (MM) (L x W x H)
SAP-20-CT	5-20KG	220V 50/60Hz	5 Bar	1197 x 780 x 1377
SAP-50-CT	5-50KG	220V 50/60Hz	5 Bar	880 x 900 x 1450

ISOMETRIC VIEW



FRONT VIEW



SIDE VIEW

